

# Installation Manual

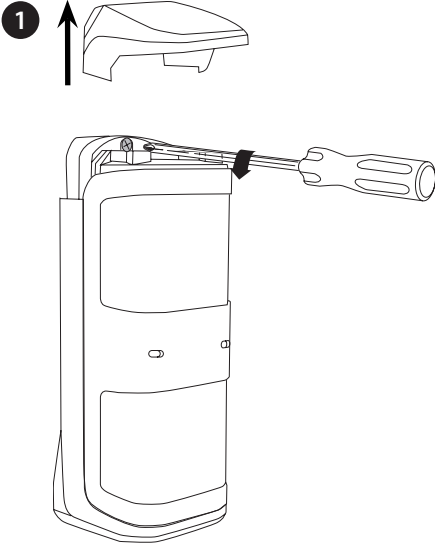
Premier External TD-W

INS647-3

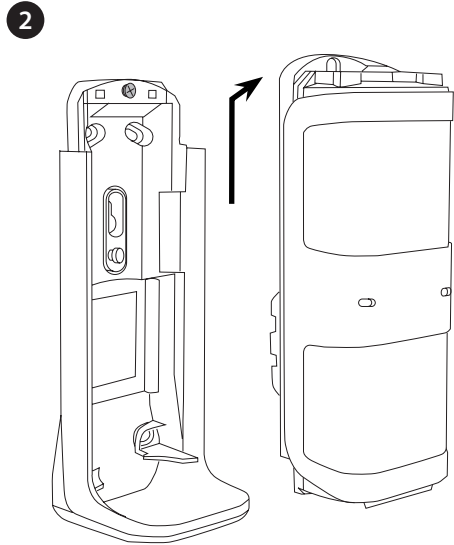


**Texecom**

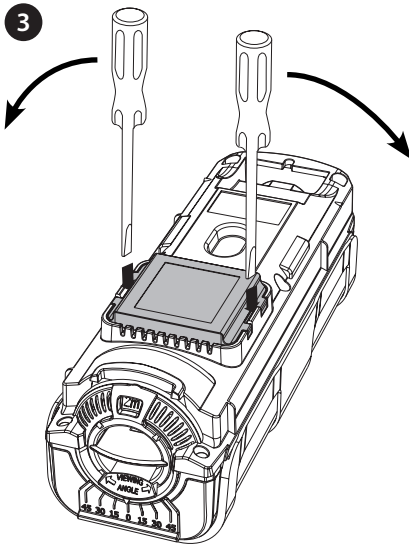
## 1. Accessing the unit & battery installation



Remove the top cap and loosen screw (screw retained in wall plate).

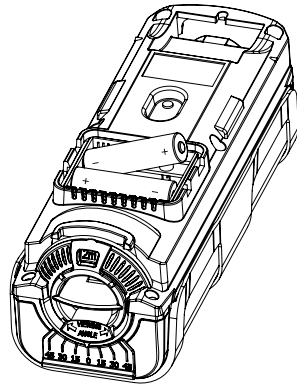


Push up head unit and remove.



Use a flat head screwdriver to lever out both sides of the battery cover.

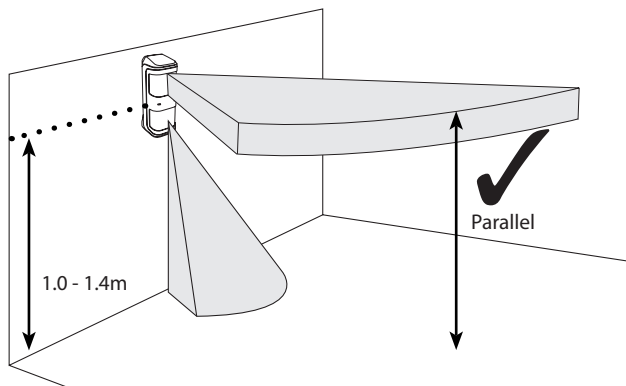
- 4 Start the learn process on the keypad and then insert the batteries - Battery connection will automatically start the learning sequence. Device reverts back to programmed network if receiver is not in learn mode (when replacing battery).



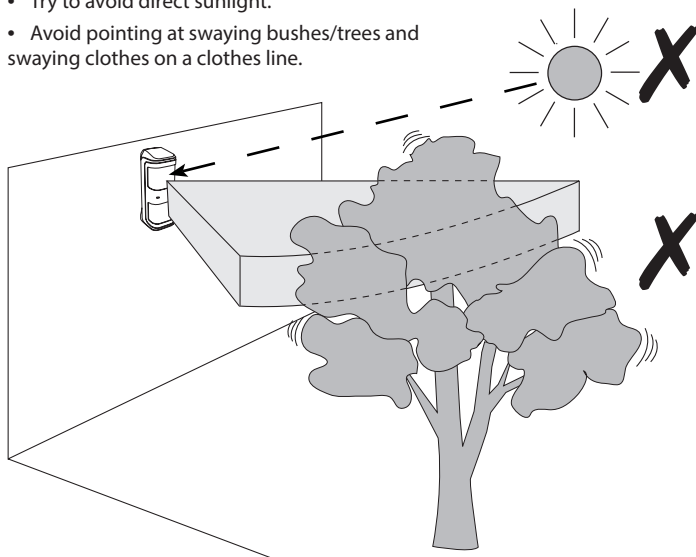
LEARN THE DEVICE TO THE SYSTEM BEFORE MOUNTING. When in Auto Mode, devices poll at 15 minute intervals. Following activation, devices will not transmit the same activation again for a period of 3 mins. For wireless connectivity, detailed programming and system set-up instructions please refer to the compatible *Ricochet* mesh technology enabled Premier Elite wireless expander or control panel manual.

## 2. Choosing a Location

- Mounting height 1.0 - 1.4m (nominal 1.2m), measured to middle of unit.
- Mount perpendicular to ground.

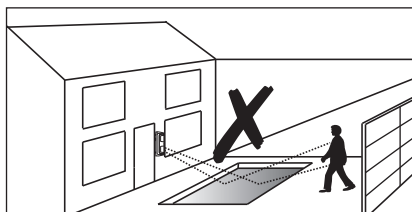


- Do not install close to large metal objects (eg. metal lintel) or mains wiring.
- Try to avoid direct sunlight.
- Avoid pointing at swaying bushes/trees and swaying clothes on a clothes line.

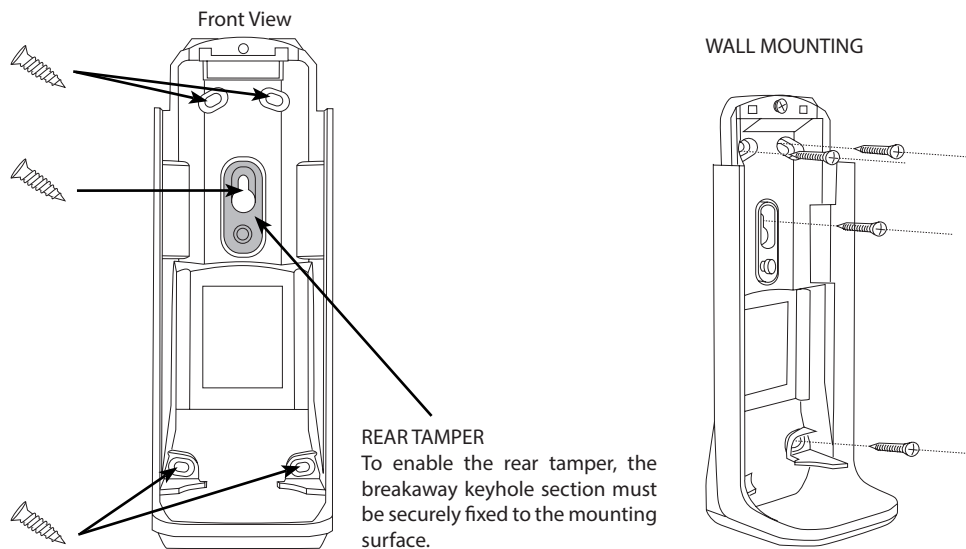


- Try to install the detector so its detection area is terminated by building/fences etc. This will reduce the effect of range variation caused by environmental changes.

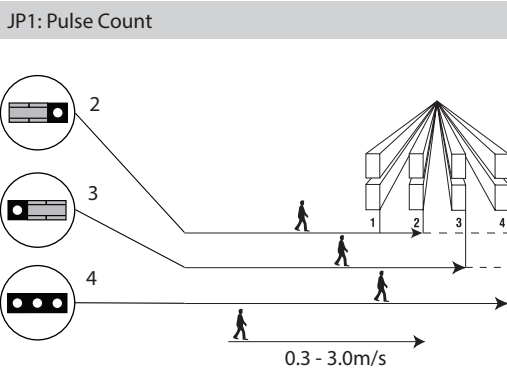
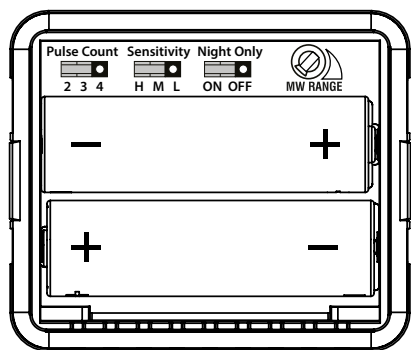
- In the detection area try to avoid reflective surfaces such as standing water, swimming pools or polished floors as this can cause the detectors range or coverage to vary as reflected signals may be seen.



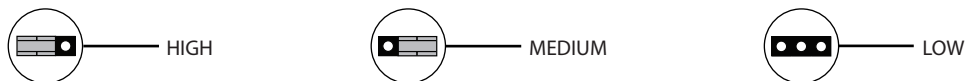
### 3. Mounting the Unit



### 4. Jumper Settings



**JP2: Sensitivity**

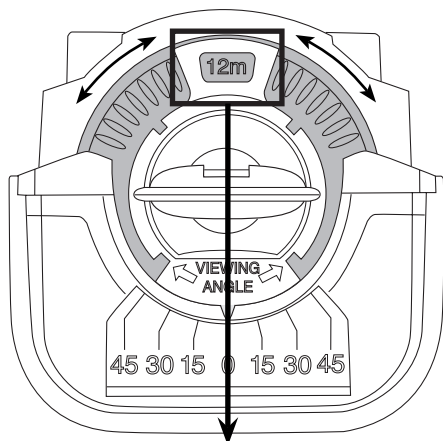


**JP3: MODE**

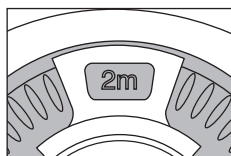
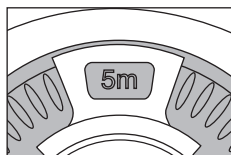
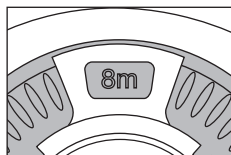
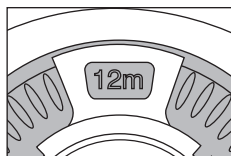


## 5. Range Adjustment - PIR

Bottom of head unit



Selected Range

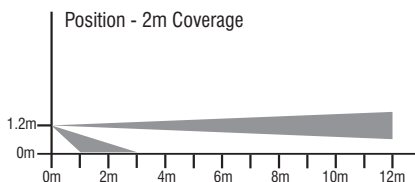
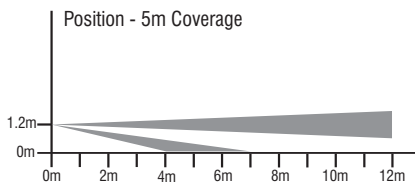
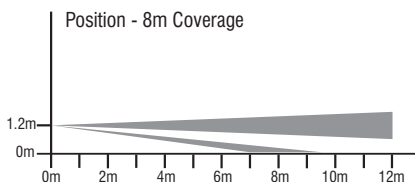
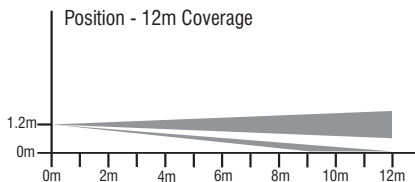


To adjust the range of the detector, rotate the circular section shown until the desired range is shown in the window.

Note: Range can vary due to environmental conditions. To reduce the risk of false alarms always select the lowest range possible for the installation.

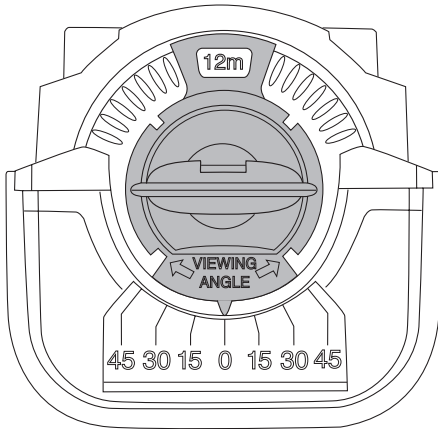
Specified ranges are valid for nominal 1.2m mounting height.

Side View

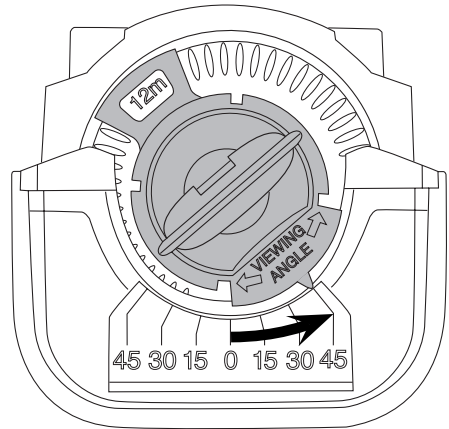


## 6. Coverage Area

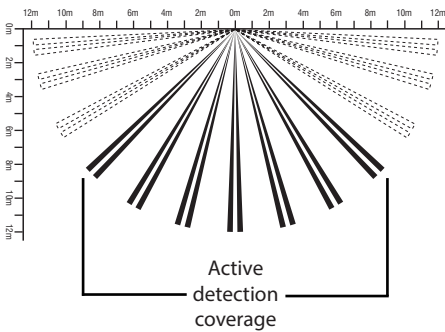
Bottom of head unit



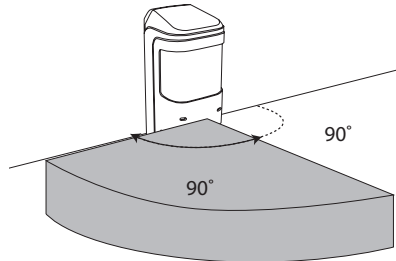
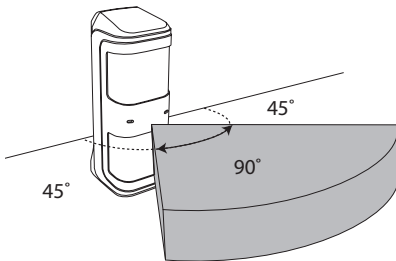
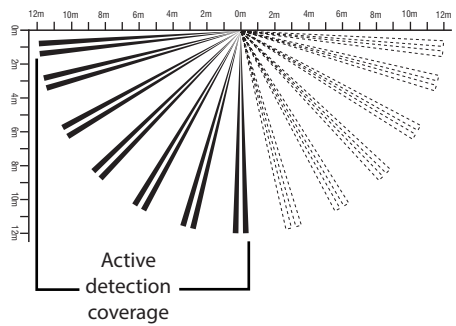
Bottom of head unit



Top View



Top View



### Walk-testing

With the range, sensitivity, coverage and pulse count set as desired, enable the LEDs and walk-through the area of protection. Confirm the LEDs light by using the walk test mode (shown in Premier Elite wireless expander instructions).

### LED Status

Left LED on: Device is attempting to learn to a new receiver.

Alternate LED's flash every second: Device connected to receiver and PIR in warm up.

Both LED's on at same time: Indicates PIR detection only in walk test mode from the panel.

## 7. Specifications & Standards

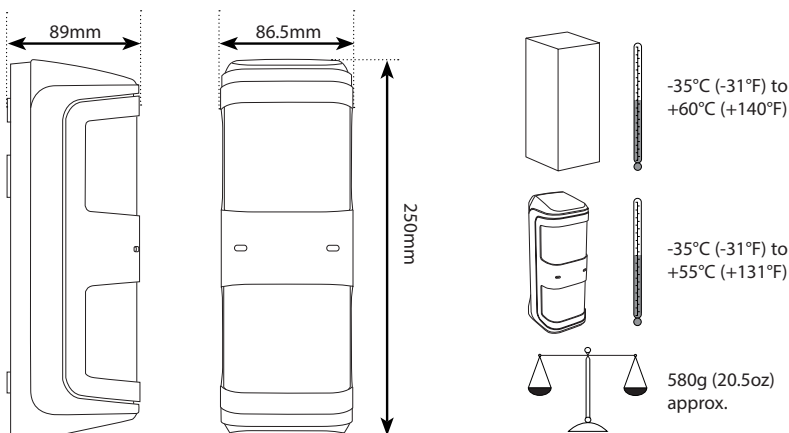
### Specifications

Mounting Height:	1.0 - 1.4m, 1.2m nominal
Supply Voltage:	3 VDC (2 x 1.5VDC AA Lithium Batteries)
Battery Life	Up to 4 years
Current Drain (typical):	70µA
Detection Method:	Dual, non-overlapping, digital PIR
Range:	12m max. Adjustable to 8m, 5m and 2m
Tamper Detection:	Wall and case. Sealed non-mechanical switch.
Start Up Time:	60 secs
Waterproof Coating:	Conformal

### Standards

EMC:	EN 55022: Class B. EN50130-4:2011. EN61000-6-3 :2011
R&TTE:	EN300 220-2 V2.4.1
Environmental:	IP65
Frequency Band:	868.0 - 868.6 MHz
Receiver:	Category 1, Class 2
Receiver LBT (Listen Before Talk)	Yes
Transmitter Duty Cycle:	868MHz<1%
Low Voltage Signal:	2.85V

## 8. Physical Specifications



### Control Panel Compatibility

Premier Elite version 2.11.00 and above with version 2.0.13 receiver and above. Premier International version 12.02 and above with version 2.1.2 receiver above. Compatible with *Ricochet* Monitor 2.18.3 and above.

### Regulatory Information

**Supplier:** Texecom Ltd, St. Crispin Way, Haslingden, Lancashire, BB4 4PW, UK.

Texecom declares that this product complies with the requirements of the following directives:

- 1999/5/EC R&TTE Directive
- 2004/108/EC EMC Directive
- 2006/95/EC LVD Directive
- 2011/65/EU RoHS Directive

The product therefore meets all the requirements to enable it to be CE marked.

**WEEE Directive:** 2012/19/EC (WEEE directive): Products marked with this symbol cannot be disposed of as unsorted municipal waste in the European Union. For proper recycling, return this product to your local supplier upon the purchase of equivalent new equipment, or dispose of it at designated collection points. For more information see: [www.recyclethis.info](http://www.recyclethis.info).

**Maintenance:** Test yearly by the installer

**Warranty:** 2 year replacement warranty (excluding batteries)

**Security grade:** EN Grade 2 **Environmental class:** Class IV **Standards:** EN50131-5-3

**Disclaimer:** The Premier External TD-W is not a complete alarm system, but only its part. Therefore Texecom does not accept any responsibility or liability for any damage that is claimed to be a result of an incorrect functioning of the Premier External TD-W detector. Texecom reserves the right to change the specification without a prior notice.

### Battery Safety

- Do not heat
- Do not charge
- Do not disassemble
- Do not throw into a fire
- Do not short circuit
- Replace with 2 x 1.5 VDC AA Lithium Batteries
- Always observe local regulations when disposing of a battery
- Detector will transmit low battery warning when battery needs replacing

The Premier External detector is protected by UK & International Designs.  
Premier is a Trademark of Texecom Ltd.  
© 2015 Texecom Ltd. [www.texecom.com](http://www.texecom.com)  
**MADE IN ENGLAND**



# **Texecom**

Texecom Limited, Bradwood Court, St. Crispin Way, Haslingden, Lancashire BB4 4PW, England.

Technical Support:

UK Customers Tel: 08456 300 600

(Calls charged at 3.36 pence per minute from a BT landline. Calls from other networks may vary.)

International Customers Tel: +44 1278 686197

Email: [techsupport@texe.com](mailto:techsupport@texe.com)

[www.texe.com](http://www.texe.com)

© Texecom Limited 2015.

INS647-3