

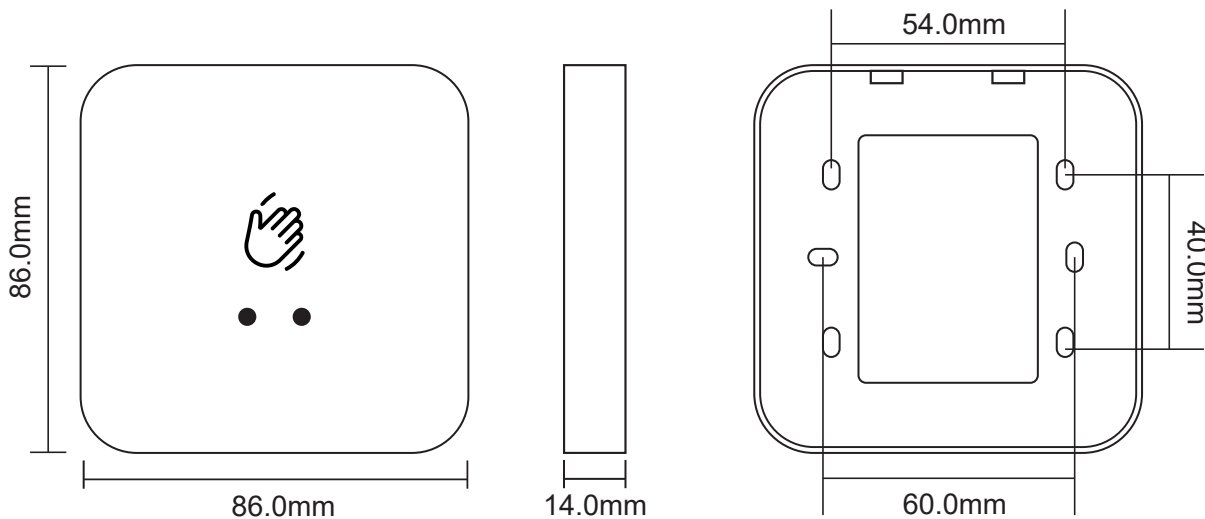
IP68 EXTERNAL CONTACTLESS BUTTON

Model: STP-NT-IP68-B

Specification

- **Dimensions:** 86L*86W*14H(mm)
- **Power:** DC12/24V
- **Output Contact:** NO/NC/COM
- **Mechanical Life:** 500,000 Tested
- **Mounting Way:** Surface Mount
- **Material:** PC case+ABS face plate
- **Weight:** 0.084kg
- **Waterproof:** IP68
- **Operating Temp:** -20 °C ~+55 °C (14-131F)
- **Operating Humidity:** 0-95%(relative humidity)
- **Sensitive Distance:** 3-15cm (Adjustable)
- **LED Indicator:** Blue LED (Standby)
Green LED (Active)
- **Time delay:** 0~30s (Adjustable)
- **Package Quantity:** 100PCS/52*43*33cm/ctn

Product Dimension



Instructions



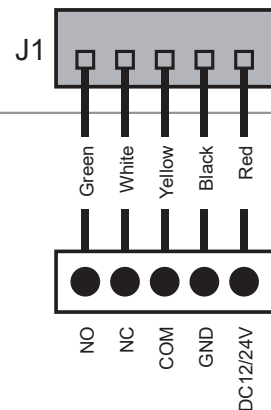
VR1: Time Delay

- ☛ Turn left short
- ☛ Turn right long



VR2: Sensitive Distance

- ☛ Turn left near
- ☛ Turn right far



(Standby)



(Active)

