

PCX-RIX8+PCB, PCX-RIX8+, PCX-RIX8+TUN,
PCX-RIX8+/S, EURO-ZEM8+

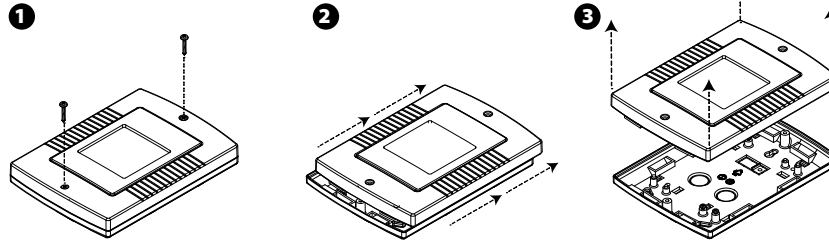
Input Expander



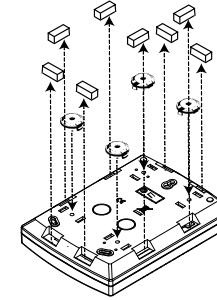
RINS1561-1



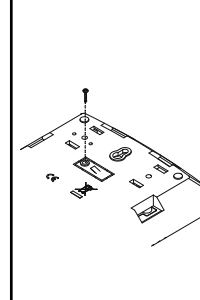
1) Opening the casing



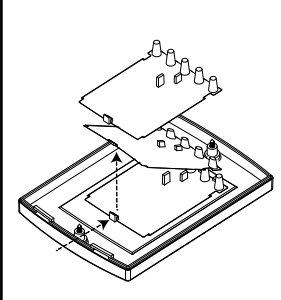
2) Stand Offs/Knock Outs



3) Rear Tamper

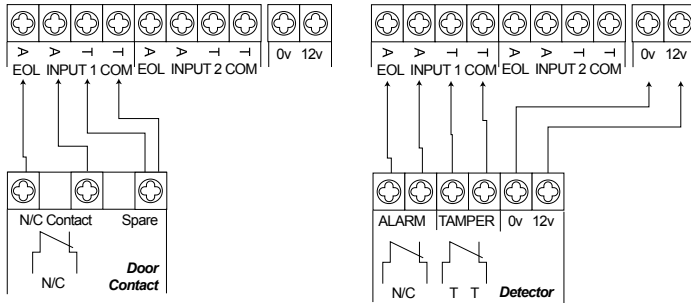


4) Label access



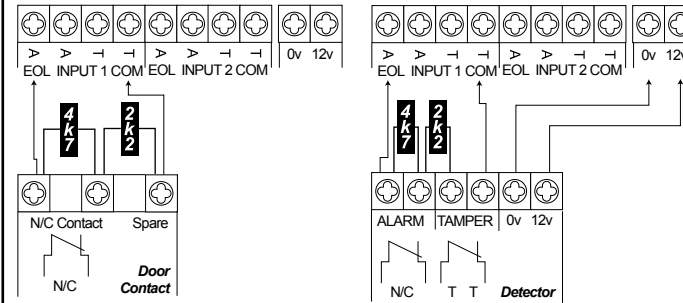
5) Input Wiring Connections (Double Pole)

PCX-RIX8+PCB, PCX-RIX8+, PCX-RIX8+TUN, PCX-RIX+/S, EURO-ZEM8+



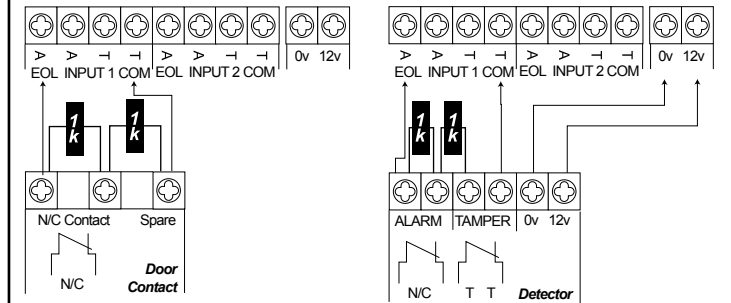
6) Input Wiring Connections (4k7, 2k2 Resistors)

EURO-ZEM8+, PCX-RIX+/S

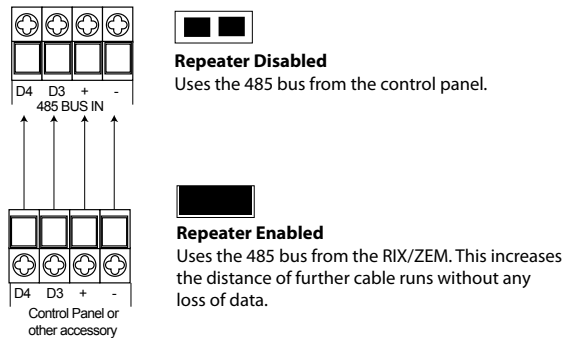


7) Input Wiring Connections (1k, 1k Resistors)

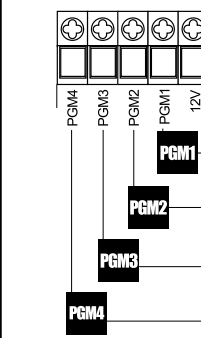
PCX-RIX8+PCB, PCX-RIX8+, PCX-RIX8+TUN



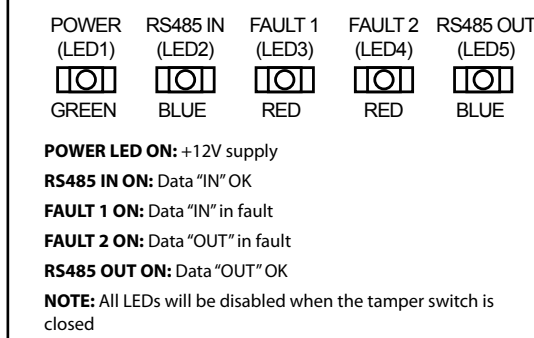
8) RS485 Bus Wiring



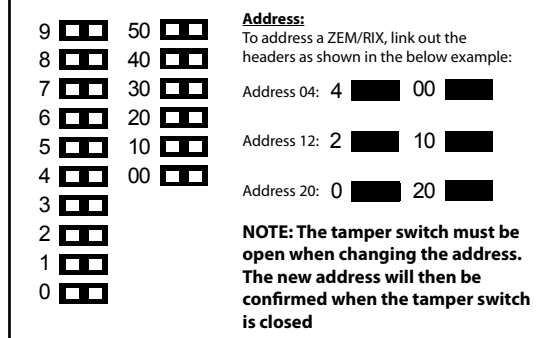
9) Output Wiring



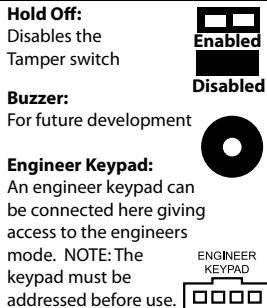
10) LEDs



11) Addressing



12) Operations



13) Compliance

For electrical products sold within the European Community. At the end of the electrical products useful life, it should not be disposed of with household waste. Please recycle where facilities exist. Check with your Local Authority or retailer for recycling advice in your country.



Suitable for use in systems installed to PD6662:2010, EN50131-1:2006+A1:2009 at Security Grade 3, Environmental Class II. Subject to the grading of the overall system.

14) Technical Specification

Input Voltages	10.5V to 15V DC
Quiescent Current	25mA
Output Current	6mA
PGM Open Drained Outputs	1A (Continuous)
Dimensions	173 x 125 x 32mm
Operational	-10°C to +40°C, (14°F to 104°F)
Storage	-20°C to +60°C, (4°F to 140°F)
Humidity	85% @ 25°C
Weight	0.24kg

15) Warranty

This product is sold subject to our standard warranty against defects in workmanship for a period of two years. In the interest of continuing improvement of quality, customer care and design, Pyronix Ltd reserve the right to amend specifications without giving prior notice.

16) Customer Support

Customer Support Line: 0845 6434 999 (local rate) or call +44(0)1709 535225
Hours: 8:00am - 6:30pm, Monday to Friday
customer.support@pyronix.com
marketing@pyronix.com
www.pyronix.com
Pyronix Ltd, Secure House, Braithwell Way, Hellaby, Rotherham, S66 8QY, UK