

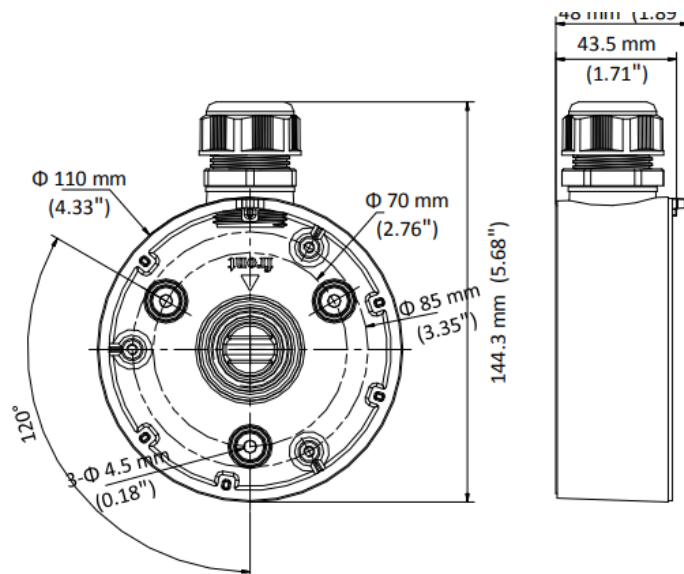
## PLEX-TR13

### Junction Box

#### Features:

- Aluminum alloy material
- Applied to both indoor and outdoor conditions
- With cable outlet(s)

#### Dimension:



#### Model:

PLEX-TR13

#### Parameter:

Model	PLEX-TR13
Parameters	Junction Box
Appearance	White
Material	Aluminum alloy
Dimension	$\Phi 110$ x 144.3 x 48mm
Weight	187g

#### Notice:

- The bracket should be installed on flat wall
- Waterproof rubber is necessary for outdoor application
- The wall must be capable of supporting over 3 times as much as the total weight of the camera and the mount.
- The maximum load capacity of the bracket is 1KG **Note: The actual bracket may vary from the picture above.**