

Low current Synthesized Intelligent PIR

SIP-3020WF SIP-4010WF SIP-404WF



The SIP-3020WF, SIP-4010WF and SIP-404WF are designed for use where a reliable low current detector is required.

They have an intelligent detection system that monitors the temperature and illuminance of the environment and automatically adjusts the sensitivity.

The detectors are also equipped with anti-rotation, anti-masking functions in addition to the anti-tamper feature which provides further security. The superior power management circuit achieves low current consumption without compromising the rich functionality.

They can be used in conjunction with the REDWALL Wire-free WF100DT (Digital Transmitter), WF100CU (Control Unit) and WF100EU (Expander Unit) if required, to form a complete radio-linked system.

FEATURES

- Low power consumption (3-9VDC, 40#A(standby) 5mA max.)
- Low battery signal
- Intelligent PIR Detection System
 - Detection of ambient temperature and illuminance for automatic sensitivity management
 - Advanced detection algorithm
 - Three dual pyro-elements with patented Double Conductive Shielding
- Anti-vandalism functions
 - Anti-rotation function with accelerometer
 - Anti-masking function with photo-beam
 - Reinforced polycarbonate housing
 - Max.4m (13 ft.) installation height
- Independent sensitivity selector for near/far areas
- Detection logic selector
- Detection range selector
- Independent N.C. and N.O. ALARM output
- Adjustable alarm interval time
- BS8418 Compliant - U.K.

OPTIONS

AVF-1 Area View Finder
OPM-WT Audible Walk Tester
SIP-MINIHOOD Sun/Snow shield
WF-100TD(Digital Transmitter)
WF100CU (Control Unit)

WF100EU (Expander Unit)
(* Need to confirm technical specifications for wire-free products to meet radio frequency law of country where the SIP-3020WF, SIP-4010WF and SIP-404WF.)

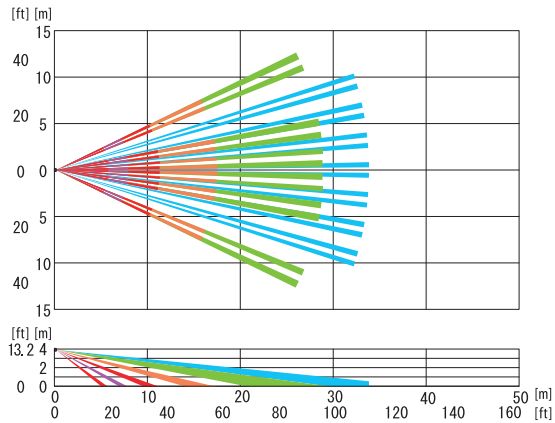
SPECIFICATIONS

Model	SIP-3020WF	SIP-4010WF	SIP-404WF
Detection method		Passive infrared	
Coverage	30 x 20 m (100 x 65 ft.)	40 x 10 m (130 x 33 ft.)	40 x 4 m (130 x 13 ft.)
Power input		3 to 9VDC Alkaline or lithium battery	
Operating voltage		2.5 to 10VDC	
Current draw		40# A(Standby) 5mA max. (Operating LED ON)	
Mounting height		2.3 to 4 m (7.6 to 13 ft.)	
Sensitivity selector		Far: SH/H/M/L Near: SH/H/M/L	
Range selector		Far: On/Off	
Detection logic selector		AND / OR	
Alarm output		N.C. 10VDC, 0.01A max. N.O. 10VDC, 0.01A max.	
Alarm interval period		Off/5, 60, 150 sec.	
Trouble output		N.C. 10VDC, 0.01A max.	
Tamper output		N.C. 10VDC, 0.01A max.	
Alarm period		Approx. 2 sec.	
Warm-up period		Approx. 120 sec.	
Operating temperature		-25 to +60°C (-13° to +140°F)	
IP rating		Main unit:IP65 Chassis:IP55	
Dimensions (H x W x D)		227 x 102 x 266 mm (9.0 x 4.0 x 10.5 in.)	
Weight		1.2kg (42 oz)	

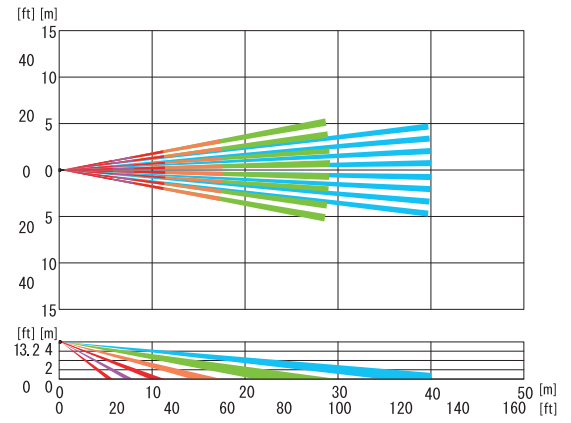
* Specifications and design are subject to change without prior notice.

DETECTION AREAS

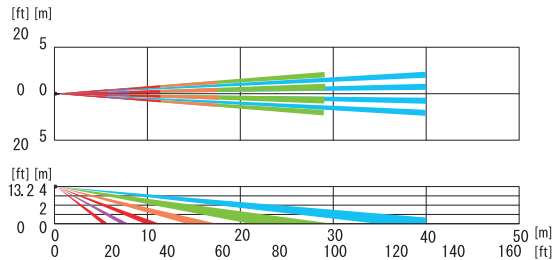
SIP-3020WF



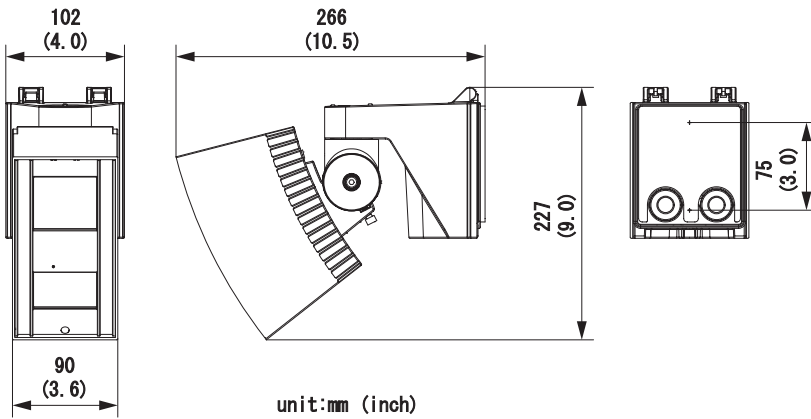
SIP-4010WF



SIP-404WF



DIMENSIONS



OPTEX CO., LTD.
(JAPAN)
 (ISO 9001 Certified)
 (ISO 14001 Certified)
 5-8-12 Ogoto
 Otsu, Shiga, 520-0101
 Japan
 Tel : +81-77-579-8030
 Fax : +81-77-579-7190
 URL : <http://www.optex.co.jp/e>

OPTEX INCORPORATED
(USA)
 13661 Benson Ave.
 Bldg. C, Chino CA 91710
 U.S.A.
 Tel : +1-909-993-5770
 Fax : +1-909-628-5560
 URL : <http://www.optexamerica.com>

OPTEX (EUROPE) LTD.
(UK)
 (ISO 9001 Certified)
 Clivemont Road, Maidenhead,
 Berkshire, SL6 7BU
 UK
 Tel : +44-1628-631000
 Fax : +44-1628-636311
 URL : <http://www.optexeuropa.com>

OPTEX SECURITY SAS
(FRANCE)
 475 Rue Monique et Mario Piani
 69480 Ambérieux d'Azergues
 France
 Tel : +33 437 55 50 50
 Fax : +33 437 55 50 59
 URL : <http://www.optex-security.com>

OPTEX SECURITY Sp.z o.o.
(POLAND)
 ul. Bitwy Warszawskiej 1920 r.
 7B, 02-366 Warszawa,
 Poland
 Tel : +48-22-598-06-60
 Fax : +48-22-598-06-61

