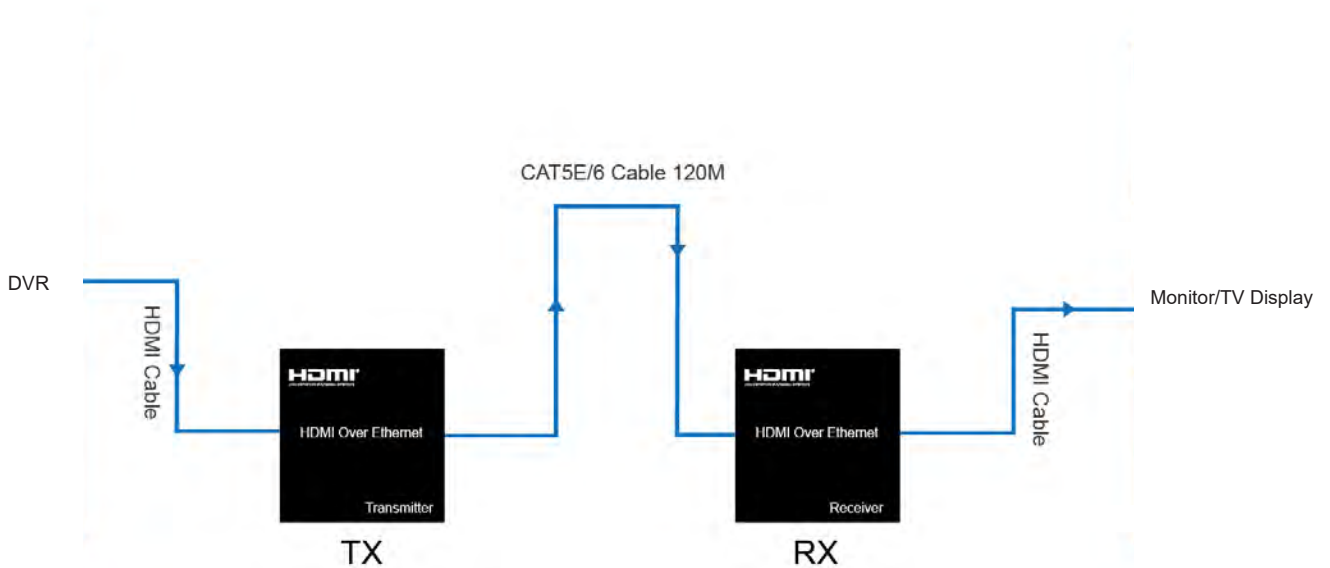


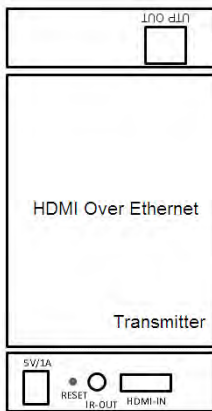
HDMI Over Ethernet is based on TCP/IP standard. It transmits your HD display up to (4k max) resolution up to 120* metres (*1080P Resolution) between your HDMI or source by using one CAT5e/6 cable. With the advantage of TCP/IP standard, you can extend your HD video to multiple displays by using an Ethernet Switch.



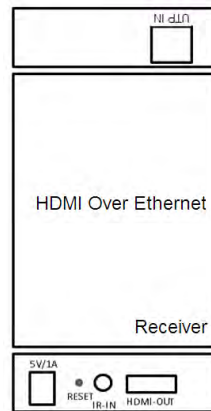
Application 1



HDMI Transmitter



HDMI Receiver



5V/1A	Supply power for the Transmitter
Reset	Hold down the key, the model will re-start
IR-out	Connect IR transmitter this Port
HDMI-in	Connect HDMI sink source to this Port

5V/1A	Supply power for the Receiver
Reset	Hold down the key, the model will re-start
IR-in	Connect IR Receiver this Port
HDMI-out	Connect HDMI sink device to this Port

HDTV Resolutions	480p,576p,720p,1080p, 4K
Supports Audio Format	DTS/DOLBY/LPCM
IR remote control	Connect to the IR Transmitting & Recieving Ports
HDMI	HDMI V2.0
HDCP	HDCP 1.2
Power adapter	Input:AC 100V-240V(50-60Hz)Output:5V/1A
Power consumption	HDMI TX 350mA HDMI RX 200mA
Size(L-W-H)	97 x 82 x 22mm
Weight	223g x 2
Operating Temperature/Humidity	0 -70 /10%-80%RH(no condensation)
Storage Temperature/Humidity	-10 -80 /5%-90%RH(no condensation)

Connection and operation

- 1) Connect the HDMI source (such as DVD, PS3, STB) to the HDMI IN of Sender.
- 2) Connect the IR sender to the Sender IR OUT Port, and Be Directed at HDMI video source's IR receiver.
- 3) Connect the HDMI out of Receiver to HDTV display.
- 4) Connect the IR receiver to the Receiver IR IN Port.
- 5) Use one Cat5e/6 cable up to 120m to connect the Sender and Receiver.
- 6) Plug two pieces of 5V power supply into the Sender and Receiver.
- 7) Power on the HDTV display and HDMI source.

PACKAGE CONTENTS

Before attempting to use this unit, please check the packaging and make sure the following items are contained in the shipping carton:

- 1) Main unit No. 1 Sender , Main unit No. 2 Receiver
- 2) Two pieces of 5V DC Power Supply.
- 3) one piece of IR transmitter and one piece of IR receiver
- 4) User's Manual