

DS-2TD2628/QA Thermal & Optical Bi-spectrum Network Bullet Camera



Hikvision DS-2TD2628-XX/QA Thermal & Optical Bi-spectrum Network Bullet Camera supports video analysis for perimeter protection, and also temperature exception alarm for early fire prevention. With the deep learning algorithm, it can realize high precision VCA detection and real-time alarm. These camera series can be widely applied to villas, communities, parking lots, warehouses, construction sites, waste incineration plants, manufacturing workshops, etc.

Key Feature

- 256 × 192 resolution, 12 μm, VOx UFPA, NETD < 40 mK (25°C, F1.0)
- Video content analysis: vehicle/human classification
- Temperature exception alarm for fire prevention, -20°C to 150°C (-4°F to 302°F), ± 8°C (± 14.4°F)
- Image processing technology: linear, histogram, self-adaptive thermal AGC mode, DDE, 3D DNR
- High quality detector with 10 years guarantee



▪ Specification

| Thermal Module | |
|--------------------------|---|
| Image Sensor | Vanadium Oxide Uncooled Focal Plane Arrays |
| Resolution | 256 × 192 |
| Pixel Pitch | 12 μm |
| Spectral Range | 8 μm to 14 μm |
| NETD | < 40 mK (25°C, F1.0) |
| Focal Length | DS-2TD2628-3/QA: 3.6 mm DS-2TD2628-7/QA: 6.9 mm DS-2TD2628-10/QA: 9.7 mm |
| IFOV | DS-2TD2628-3/QA: 3.33 mrad DS-2TD2628-7/QA: 1.74 mrad DS-2TD2628-10/QA: 1.24 mrad |
| Field of View | DS-2TD2628-3/QA: 50.0°(H) × 37.3° (V) DS-2TD2628-7/QA: 24.9°(H) × 18.7° (V) DS-2TD2628-10/QA: 18.0°(H) × 13.5° (V) |
| Min. Focusing Distance | DS-2TD2628-3/QA: 0.5 m DS-2TD2628-7/QA: 1.3 m DS-2TD2628-10/QA: 3.5 m |
| Aperture | F1.0 |
| Digital Zoom | ×2, ×4 |
| Optical Module | |
| Image Sensor | 1/2.7" Progressive Scan CMOS |
| Resolution | 2688 × 1520 |
| Min. Illumination | Color: 0.0176 Lux @ (F2.25, AGC ON), B/W: 0.0035 Lux @ (F2.25, AGC ON) |
| Shutter Speed | 1 s to 1/100,000 s |
| Focal Length | DS-2TD2628-3/QA: 4.3 mm DS-2TD2628-7/QA: 6.4 mm DS-2TD2628-10/QA: 8 mm |
| Field of View | DS-2TD2628-3/QA: 84.0° (H) × 43.1° (V) DS-2TD2628-7/QA: 53.0° (H) × 28.0° (V) DS-2TD2628-10/QA: 39.4° (H) × 22.1° (V) |
| Aperture (Range) | F1.6 |
| WDR | 120 dB |
| Image Effect | |
| Target Coloration | Yes. Supported in white hot and black hot mode. |
| Illuminator | |
| IR Distance | Up to 30 m |
| IR Intensity and Angle | Automatically adjusted |
| Audible and Visual Alarm | |
| White Light Range | Up to 30 m |
| Visual Alarm | Yes. White light alarm with adjustable flashing frequencies |
| Audio alarm | Yes, for two types of audible alarm (VCA and Temperature Exception) 2 preset voice alerts (one for each) 6 importable user-defined voice alerts (6 options shared in the two types) |

| Smart Function | |
|-------------------------|---|
| VCA | 4 VCA rule types (line crossing, intrusion, region entrance, and region exiting), up to 8 VCA rules in total. |
| Temperature Measurement | 3 temperature measurement rule types, 21 rules in total (10 points, 10 areas, and 1 line) |
| Temperature Range | -20°C to 150°C (-4°F to 302°F) |
| Temperature Accuracy | ± 8°C (± 14.4°F) |
| Video and Audio | |
| Main Stream | Thermal: 25 fps (1280 × 720, 704 × 576, 640 × 512, 320 × 240) Optical: 50 Hz: 25 fps (2688 × 1520, 1920 × 1080, 1280 × 720) 60Hz: 30 fps (2688 × 1520, 1920 × 1080, 1280 × 720) |
| Sub-stream | Thermal: 25 fps (704 × 576, 640 × 512, 320 × 240) Optical: 50 Hz: 25 fps (704 × 576, 352 × 288) 60 Hz: 30 fps (704 × 480, 352 × 240) |
| Video Compression | Main Stream: H.265/H.264 Sub-Stream: H.265/H.264/MJPEG |
| Audio Compression | G.722.1/G.711ulaw/G.711alaw/MP2L2/G.726/PCM |
| Network | |
| Protocols | IPv4/IPv6,HTTP,HTTPS,802.1x,Qos,FTP,SMTP,UPnP,SNMP,DNS,DDNS,NTP,RTSP,RTCP, RTP,TCP,UDP,IGMP,ICMP,DHCP,PPPoE,Bonjour,SFTP,SRTP |
| Network Storage | MicroSD/SDHC/SDXC card (up to 256 G) local storage, NAS (NFS, SMB/CIFS), Auto Network Replenishment (ANR) |
| API | ISAPI, HIKVISION SDK, and third-party management platform, Open Network Video Interface (Profile S, Profile G) |
| Simultaneous Live View | Up to 20 channels |
| User/Host level | Up to 32 users, 3 levels: Administrator, Operator, User |
| Security | User authentication (ID and Password), MAC address binding, HTTPS encryption, IEEE 802.1x(EAP-MD5, EAP-TLS), access control, IP address filtering |
| Client | iVMS-4200, Hik-Connect |
| Web Browser | Live view (plug-in allowed) : Internet Explorer 11 Live view (plug-in free) : Chrome 57.0 +, Firefox 52.0 + Local service : Chrome 57.0 +, Firefox 52.0 + |
| Interface | |
| Alarm Input | 2, alarm input (0-5 VDC) |
| Alarm Output | 2, alarm output (alarm response actions configurable) |
| Alarm Action | SD recording/Relay output/Smart capture/FTP upload/Email linkage |
| Audio Input | 1, 3.5 mm Mic in/Line in interface Line input: 2 to 2.4 V [p-p], output impedance: 1 KΩ ± 10% |
| Audio Output | Linear level, impedance: 600 Ω |
| Communication Interface | 1, RJ45 10 M/100 M Self-adaptive Ethernet interface. 1, RS-485 interface (half duplex) |

General

| | |
|------------------------------|---|
| Web Client Language | 32 languages English, Russian, Estonian, Bulgarian, Hungarian, Greek, German, Italian, Czech, Slovak, French, Polish, Dutch, Portuguese, Spanish, Romanian, Danish, Swedish, Norwegian, Finnish, Croatian, Slovenian, Serbian, Turkish, Korean, Traditional Chinese, Thai, Vietnamese, Japanese, Latvian, Lithuanian, Portuguese (Brazil) |
| Power Supply | 12 VDC \pm 25%, ϕ 5.5 mm coaxial power plug PoE (802.3af, class 3) |
| Power Consumption | 12 VDC \pm 25%: 0.5 A, Max. 6 W PoE (802.3af, class 3): 42.5 V to 57 V, 0.14 A to 0.22 A, Max. 6.5 W |
| Working Temperature/Humidity | Temperature: -40°C to 65°C (-40°F to 149°F) Humidity: 95% or less |
| Protection Level | IP67 Standard TVS 6000V lightning protection, surge protection, voltage transient protection |
| Dimensions | 321.3 mm \times 106.1 mm \times 107.0 mm (12.65" \times 4.18" \times 4.21") |
| Weight | 1550 g (3.41 lb) |

DRI Range Table

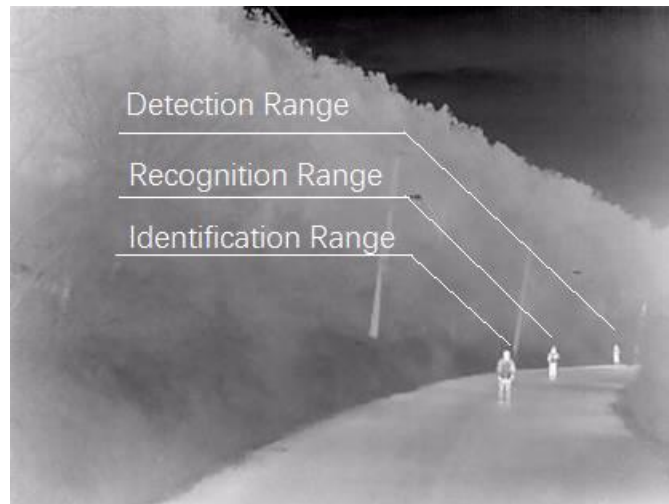
* The table is only for reference and the performance may vary according to different environment.

* The optimal detection, recognition, and identification distances are calculated according to Johnson's Criteria.

Detection Range: In order to distinguish an object from the background, the object must be covered by 1.5 or more pixels.

Recognition Range: In order to classify the object (animal, human, vehicle, etc.), the object must be covered by 6 or more pixels.

Identification Range: In order to identify the object and describe it in details, the object must be covered by 12 or more pixels.



| Model | Detection Range (Humans: 1.8 × 0.5 m) | Detection Range (Vehicles: 1.4 × 4.0 m) | Recognition Range (Humans: 1.8 × 0.5 m) | Recognition Range (Vehicles: 1.4 × 4.0 m) | Identification Range (Humans: 1.8 × 0.5 m) | Identification Range (Vehicles: 1.4 × 4.0 m) |
|------------------|--|--|--|--|---|---|
| DS-2TD2628-3/QA | 150 m | 460 m | 38 m | 112 m | 19 m | 56 m |
| DS-2TD2628-7/QA | 287 m | 881 m | 72 m | 220 m | 36 m | 110 m |
| DS-2TD2628-10/QA | 404 m | 1239 m | 101 m | 310 m | 50 m | 155 m |

Smart Function Table

* The table is only for reference and the performance may vary according to different environment.

| Model | VCA Range (Humans: 1.8 × 0.5 m) | VCA Range (Vehicles: 1.4 × 4.0 m) | Temperature Measurement (Object: 1 × 1 m) | Temperature Measurement (Object: 0.2 × 0.2 m) |
|------------------|------------------------------------|--------------------------------------|---|---|
| DS-2TD2628-3/QA | 28.8 m | 75.6 m | 58.3 m | 11.7 m |
| DS-2TD2628-7/QA | 55.2 m | 144.9 m | 116.7 m | 23.3 m |
| DS-2TD2628-10/QA | 77.6 m | 203.7 m | 161.7 m | 32.3 m |

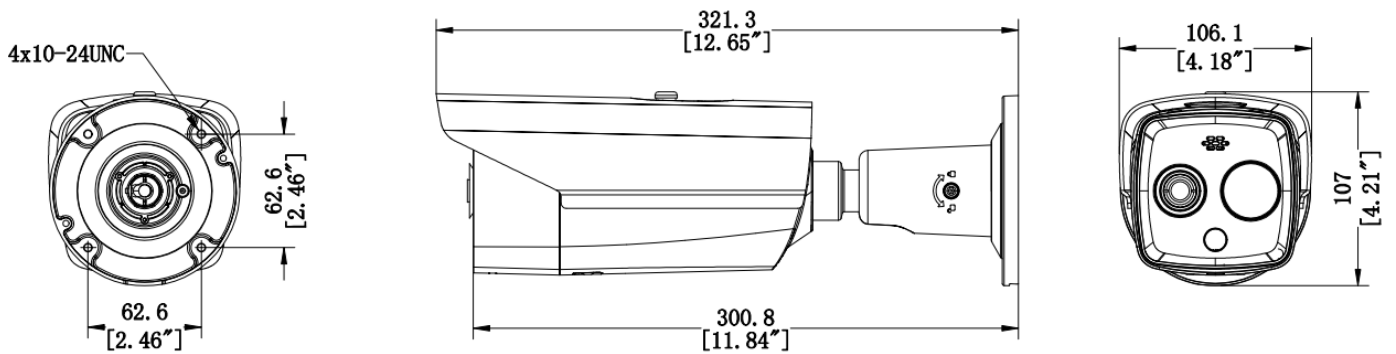
▪ Available Model

DS-2TD2628-3/QA

DS-2TD2628-7/QA

DS-2TD2628-10/QA

▪ **Dimension**



Unit: mm [Inch]

▪ **Accessory**

▪ **Included**



DS-1260ZJ
Junction Box

▪ **Optional**



DS-1276ZJ-SUS
Corner Mount



DS-1275ZJ-S-SUS
Vertical Pole Mount

COMPLIANCE NOTICE: The thermal series products might be subject to export controls in various countries or regions, including without limitation, the United States, European Union, United Kingdom and/or other member countries of the Wassenaar Arrangement. Please consult your professional legal or compliance expert or local government authorities for any necessary export license requirements if you intend to transfer, export, re-export the thermal series products between different countries.

Distributed by

**HIKVISION®****Headquarters**

No.555 Qianmo Road, Binjiang District,
Hangzhou 310051, China
T +86-571-8807-5998
overseasbusiness@hikvision.com

Hikvision USA
T +1-909-895-0400
sales.usa@hikvision.com

Hikvision Australia
T +61-2-8599-4233
salesau@hikvision.com

Hikvision India
T +91-22-28469900
sales@pramahikvision.com

Hikvision Canada
T +1-866-200-6690
sales.canada@hikvision.com

Hikvision Thailand
T +662-275-9949
sales.thailand@hikvision.com

Hikvision Europe
T +31-23-5542770
sales.eu@hikvision.com

Hikvision Italy
T +39-0438-6902
info.it@hikvision.com

Hikvision Brazil
T +55 11 3318-0050
Latam.support@hikvision.com

Hikvision Turkey
T +90 (216)521 7070- 7074
sales.tr@hikvision.com

Hikvision Malaysia
T +601-7652-2413
sales.my@hikvision.com

Hikvision UK & Ireland
T +01628-902140
sales.uk@hikvision.com

Hikvision South Africa
Tel: +27 (10) 0351172
sale.africa@hikvision.com

Hikvision France
T +33(0)1-85-330-450
info.fr@hikvision.com

Hikvision Kazakhstan
T +7-727-9730667
nikia.panfilov@hikvision.ru

Hikvision Vietnam
T +84-974270888
sales.vt@hikvision.com

Hikvision UAE
T +971-4-4432090
salesme@hikvision.com

Hikvision Singapore
T +65-6684-4718
sg@hikvision.com

Hikvision Spain
T +34-91-737-16-55
info.es@hikvision.com

Hikvision Tashkent
T +99-87-1238-9438
uzb@hikvision.ru

Hikvision Hong Kong
T +852-2151-1761
info.hk@hikvision.com

Hikvision Russia
T +7-495-669-67-99
saleru@hikvision.com

Hikvision Korea
T +82-(0)31-731-8817
sales.korea@hikvision.com

Hikvision Poland
T +48-22-460-01-50
info.pl@hikvision.com

Hikvision Indonesia
T +62-21-2933759
Sales.Indonesia@hikvision.com

Hikvision Colombia
sales.colombia@hikvision.com