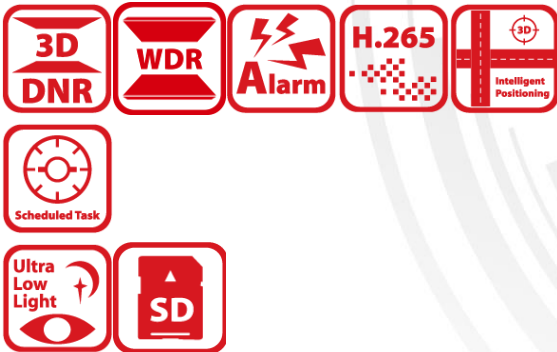


DS-2DP3236ZIXS-D/440(F0)(P4) 360° Stitched 32 MP PanoVu Camera with PTZ

PanoVu



Hikvision DS-2DP3236ZIXS-D/440(F0)(P4) 360° Stitched 32 MP PanoVu Camera with PTZ is able to capture panoramic images as well as close-up images. The panoramic images are captured by 8 sensors for 360° panorama monitoring. The integration of two cameras can locate the details fast over expansive area. Furthermore, with advanced video analysis and multiple targets tracking algorithms, the PanoVu camera features a wide range of smart functions for multiple targets within the panoramic view, including intrusion detection, line crossing detection, region entrance detection, and region exiting detection. The camera can output alarm signals and link the PTZ for tracking to improve the security efficiency. This product is suitable for the application scenarios that require expansive monitoring and detail capture, such as airports, stations, stadiums, playgrounds, scenic areas, and public squares.

- High quality imaging with 32 MP resolution, up to 2 × 5520 × 2400 @30 fps for panoramic channels
- Excellent low-light performance with DarkFighter technology
- 40x optical zoom and 16x digital zoom provide close up views over expansive areas
- Expansive night view with up to 250 m IR distance
- Integrated 3D control between panoramic channel and PTZ Channel: With one click on the panoramic channel, the PTZ channel shows the details automatically
- Continuous and stable manual tracking, auto-tracking, and panorama tracking
- Automatic switch between multiple targets
- Supports 7 alarm inputs, 2 alarm outputs, 1 audio input, and 1 audio output
- Automatic temperature control heater and blower



DORI

The DORI (detect, observe, recognize, identify) distance gives the general idea of the camera ability to distinguish persons or objects within its field of view. It is calculated based on the camera sensor specification and the criteria given by EN 62676-4: 2015.

DORI	Detect	Observe	Recognize	Identify
Definition	25 px/m	63 px/m	125 px/m	250 px/m
[Panoramic channel] Distance	38.6 m (126.6 ft.)	15.3 m (50.2 ft.)	7.7 m (25.3 ft.)	3.9 m (12.8 ft.)
[PTZ channel] Distance (Tele)	4137.9 m (13575.8 ft.)	1642.0 m (5387.1 ft.)	827.6 m (2715.2 ft.)	413.8 m (1357.6 ft.)

▪ Specification

Camera	
Image Sensor	[Panoramic channel]: 1/1.8" progressive scan CMOS, [PTZ channel]: 1/1.8" progressive scan CMOS
Min. Illumination	[Panoramic channel] Color: 0.0005 Lux (F1.0, AGC ON), B/W: 0.0001 Lux (F1.0, AGC ON); [PTZ channel] 0.0005 Lux (F1.2, AGC ON), B/W: 0.0001 Lux (F1.2, AGC ON), 0 Lux with IR
Shutter Speed	1 s to 1/30000 s
Slow Shutter	Yes
Day & Night	IR cut filter
Zoom	[PTZ channel] 40x optical, 16x digital
Max. Resolution	5520 × 2400
Lens	
Focus	Auto, semi-auto, manual, rapid focus
Focal Length	[Panoramic channel] 2.8 mm; [PTZ channel] 6.0 to 240 mm
Zoom Speed	[PTZ channel] Approx. 5.6 s
FOV	Horizontal FOV 56.6° to 1.8°, vertical FOV 33.7° to 1.0°, diagonal FOV 63.4° to 2.0°
Aperture	Max. F1.0
Illuminator	
Supplement Light Type	IR
Supplement Light Range	Up to 250 m
Smart Supplement Light	Yes
PTZ	
Movement Range (Pan)	360°
Movement Range (Tilt)	-15° to 90° (auto flip)
Pan Speed	Pan speed: configurable from 0.1° to 210°/s; preset speed: 240°/s
Tilt Speed	Tilt speed: configurable from 0.1° to 150°/s, preset speed 200°/s
Proportional Pan	[Panoramic channel]: no; [PTZ channel]: yes
Presets	300
Patrol Scan	8 patrols, up to 32 presets for each patrol
Pattern Scan	4 pattern scans, record time over 10 minutes for each scan

Power-off Memory	Yes
Park Action	Preset, pattern scan, patrol scan, auto scan, tilt scan, random scan, frame scan, panorama scan
3D Positioning	Yes
PTZ Status Display	Yes
Preset Freezing	Yes
Scheduled Task	Preset, pattern scan, patrol scan, auto scan, tilt scan, random scan, frame scan, panorama scan, dome reboot, dome adjust, aux output
Video	
Main Stream	[Panoramic channel]: 50 Hz: 25 fps (8160 × 3616, 6144 × 2560, 4320 × 1808) 60 Hz: 30 fps (8160 × 3616, 6144 × 2560, 4320 × 1808) [PTZ channel] 50Hz: 25fps (2592 × 1944, 2560 × 1440, 1920 × 1080, 1280 × 960, 1280 × 720) 60Hz: 30fps (2592 × 1944, 2560 × 1440, 1920 × 1080, 1280 × 960, 1280 × 720)
Sub-Stream	[Panoramic channel]: 50 Hz: 25 fps (3072 × 1280, 1560 × 656, 704 × 320) 60 Hz: 30 fps (3072 × 1280, 1560 × 656, 704 × 320) [PTZ channel]: 50 Hz: 25 fps (704 × 576, 640 × 480, 352 × 288); 60 Hz: 30 fps (704 × 480, 640 × 480, 352 × 240)
Third Stream	[Panoramic channel]: no [PTZ channel]: 50 Hz: 25 fps (1920 × 1080, 1280 × 960, 1280 × 720, 704 × 576, 640 × 480, 352 × 288) 60 Hz: 30 fps (1920 × 1080, 1280 × 960, 1280 × 720, 704 × 480, 640 × 480, 352 × 240)
Video Compression	Main stream: H.265+/H.265/H.264+/H.264 Sub-stream: H.265/H.264/MJPEG Third stream: H.265/H.264/MJPEG
Audio	
Audio Compression	G.711alaw, G.711ulaw, G.722.1, G.726, MP2L2, AAC, PCM
Audio Sampling Rate	PCM: 8 kHz, 16 kHz, 32 kHz, 48 kHz; MP2L2: 16 kHz, 32 kHz, 48 kHz; AAC: 16 kHz, 32 kHz, 48 kHz
Network	
Network Storage	NAS (NFS, SMB/CIFS), ANR
Protocols	IPv4/IPv6, HTTP, HTTPS, 802.1x, QoS, FTP, SMTP, UPnP, SNMP, DNS, DDNS, NTP, RTSP, RTCP, RTP, TCP/IP, UDP, IGMP, ICMP, DHCP, PPPoE, Bonjour
API	Open Network Video Interface (Profile S, Profile G, Profile T), ISAPI, SDK, ISUP
Simultaneous Live View	Up to 20 channels
User/Host	Up to 32 users. 3 user levels: administrator, operator, and user
Security	Authenticated username and password, MAC address binding, HTTPS encryption, 802.1X authenticated access, IP address filter
Client	iVMS-4200, HikCentral Pro, Hik-Connect
Web Browser	IE10-11, Chrome 57+, Firefox 52+, Safari 12+
Image	
Day/Night Switch	Day, night, auto, scheduled-switch

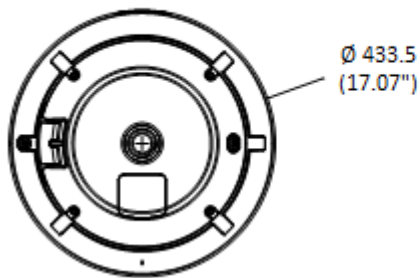
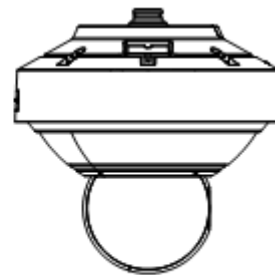
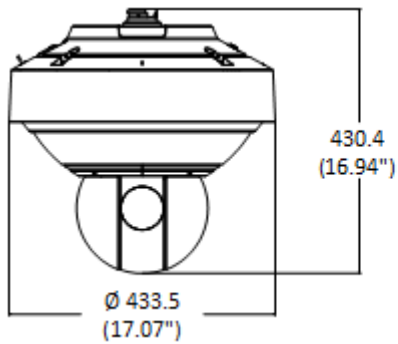
Image Enhancement	BLC, HLC, 3D DNR
Wide Dynamic Range (WDR)	120 dB
Defog	[PTZ channel] optical defog
Image Stabilization	EIS
Regional Exposure	Yes
Regional Focus	Yes
Image Settings	Saturation, brightness, contrast, sharpness, gain, and white balance adjustable by client software or web browser
Image Parameters Switch	Yes
Privacy Mask	Programmable polygon privacy masks (8 for panoramic channel, 24 for PTZ channel), mask color or mosaic configurable
SNR	≥ 55 dB
Interface	
Ethernet Interface	1 RJ45 10M/100M/1000M self-adaptive Ethernet port
Fiber Optical	1 FC interface, built-in fiber module, 1000M, TX1310/RX1550 nm wavelength, single module fiber, up to 20 km transmission distance
On-board Storage	Built-in memory card slot, support microSD/microSDHC/microSDXC cards, up to 256 GB
Alarm	7 alarm inputs, 2 alarm outputs
Audio	1 input (line in), max. input amplitude: 2-2.4 vpp, input impedance: 1 KΩ ± 10%; 1 output (line out), line level, output impedance: 600 Ω
RS-485	1 RS-485 (Half duplex, HIKVISION, Pelco-P, Pelco-D, self-adaptive)
Reset	Yes
Event	
Smart Event	Line crossing detection, region entrance detection, region exiting detection, unattended baggage detection, object removal detection, intrusion detection
Smart Tracking	Manual tracking, auto-tracking, panorama tracking. Support patrol tracking among multiple detection scenes
Alarm Linkage	Upload to FTP/NAS/memory card, notify surveillance center, send email, trigger alarm output, trigger recording, and PTZ actions (such as preset, patrol scan, pattern scan)
General	
Power	36 VDC, max. 135 W (including max. 12 W for IR)
Operating Condition	-40°C to 70°C (-40°F to 158 °F). Humidity 90% or less (non-condensing)
Wiper	No
Demist	Yes
Material	ADC12
Dimension	∅ 433.5 mm x 430.4 mm (∅ 17.07" x 16.94")
Weight	Approx. 18 kg (39.68 lb.)
Approval	
Safety	UL (UL 62368-1); CB (IEC 62368-1:2014+A11); CE-LVD (EN 62368-1:2014+A11:2017), BIS (IS 13252(Part 1):2010/IEC 60950-1: 2005); LOA (IEC/EN 60950-1)

Environment	CE-RoHS (2011/65/EU); WEEE (2012/19/EU); Reach (Regulation (EC) No 1907/2006)
Protection	IP67 Standard, Lightning Protection, Surge Protection and Voltage Transient Protection, ±6kV Line to Gnd, ±3kV Line to Line, IEC61000-4-5, IK10

▪ **Available Model**

DS-2DP3236ZIXS-D/440(F0)(P4)

▪ **Dimension**



Unit: mm (inch)

▪ **Accessory**

▪ **Optional**

DS-1603ZJ-Pole-P	DS-1603ZJ-P	DS-1668ZJ-P	DS-1668ZJ(20)

Distributed by

**HIKVISION®****Headquarters**

No.555 Qianmo Road, Binjiang District,
Hangzhou 310051, China
T +86-571-8807-5998
overseasbusiness@hikvision.com

Hikvision USA
T +1-909-895-0400
sales.usa@hikvision.com

Hikvision Australia
T +61-2-8599-4233
salesau@hikvision.com

Hikvision India
T +91-22-28469900
sales@pramahikvision.com

Hikvision Canada
T +1-866-200-6690
sales.canada@hikvision.com

Hikvision Thailand
T +662-275-9949
sales.thailand@hikvision.com

Hikvision Europe
T +31-23-5542770
sales.eu@hikvision.com

Hikvision Italy
T +39-0438-6902
info.it@hikvision.com

Hikvision Brazil
T +55 11 3318-0050
Latam.support@hikvision.com

Hikvision Turkey
T +90 (216)521 7070- 7074
sales.tr@hikvision.com

Hikvision Malaysia
T +601-7652-2413
sales.my@hikvision.com

Hikvision UK & Ireland
T +01628-902140
sales.uk@hikvision.com

Hikvision South Africa
Tel: +27 (10) 0351172
sale.africa@hikvision.com

Hikvision France
T +33(0)1-85-330-450
info.fr@hikvision.com

Hikvision Kazakhstan
T +7-727-9730667
nikia.panfilov@hikvision.ru

Hikvision Vietnam
T +84-974270888
sales.vt@hikvision.com

Hikvision UAE
T +971-4-4432090
salesme@hikvision.com

Hikvision Singapore
T +65-6684-4718
sg@hikvision.com

Hikvision Spain
T +34-91-737-16-55
info.es@hikvision.com

Hikvision Tashkent
T +99-87-1238-9438
uzb@hikvision.ru

Hikvision Hong Kong
T +852-2151-1761
info.hk@hikvision.com

Hikvision Russia
T +7-495-669-67-99
saleru@hikvision.com

Hikvision Korea
T +82-(0)31-731-8817
sales.korea@hikvision.com

Hikvision Poland
T +48-22-460-01-50
info.pl@hikvision.com

Hikvision Indonesia
T +62-21-2933759
Sales.Indonesia@hikvision.com

Hikvision Colombia
sales.colombia@hikvision.com