

Datasheet

ML-350M - Fail Safe Electric Lock

Product Description

The ML range of electric locks are high performance locks suitable for double action doors.

The ML-350M provides fire certification, 650kg holding force and 225kg of preload operation. It is suitable for both horizontal or vertical mounting and double action door sets.

Manufactured from stainless steel, this lock is fail safe and suitable for use on emergency escapes. With both lock status and door status monitoring it is easy to check the status of important doors.

Tested to 250,000 cycles the ML-350M is a great solution for doors requiring solenoid type locking with fire certification and preload operation.

Key Features

- Fail safe electric lock operating under side load
- Up to 650kg holding force
- Suitable for double action doors
- 60-minutes fire tested under EN14846
- Tested for 250,000 cycles
- Lock and door status monitoring



 Certification

 DEEE

 Certification

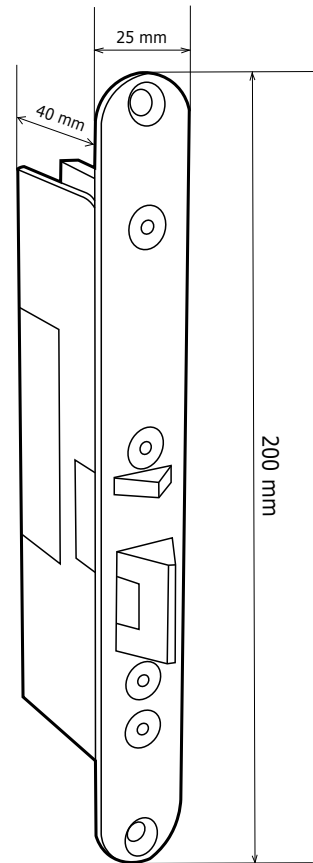
 -10°C to 49°C

Product Specifications

- Material:** Stainless steel
Mounting: Horizontal or Vertical
Holding force: Up to 650kg
Preload: 225kg
Cycles: Tested to 250,000
Actions: Single and double action doorsets
Dimensions:
- Strike: 200 x 40 x 25 mm
 - Faceplate: 200 x 25 x 3 mm

Electrical Specifications

- Power input:** 12Vdc OR 24 Vdc
Consumption: 280mA @ 12Vdc
 180mA @ 24Vdc
Lock status contact rating: 0.5A @ 250Vac



Range references

- | | | |
|--------------|---------------|--|
| E0901D000539 | ML-350M-PL-12 | Compact fail safe electric lock, fire rated, 12Vdc |
| E0901D000540 | ML-350M-PL-24 | Compact fail safe electric lock, fire rated, 24Vdc |