



FOR USE WITH Ø50MM POLES

BT7552

BACK-TO-BACK FLAT SCREEN MOUNT FOR Ø50MM POLES

Designed to fit onto B-Tech's System 2 Ø50mm poles, the BT7552 is a back-to-back flat screen mount which can be used to mount two screens up to 23kg from the ceiling, floor, or to a desktop. With easy tool-less adjustment of tilt, swivel and screen rotation, this mount is ideal for landscape or portrait screen mounting and makes it quick and simple to switch between the two. The BT7552 can also be ordered as part of a complete mounting solution, with a choice of Black or Chrome poles and a ceiling / floor mount (please see the BT7554 for more information).

SPECIFICATION

Recommended screen size	up to 28"
Max load	23kg (per screen)
VESA® compatibility	up to 100 x 100
Tilt as a ceiling mount	+45° / -15°
Tilt as a desk / floor mount	+15° / -45°
Swivel	360°
Screen rotation	360°
Colour	Black

FEATURES

- Mounts two screens in a back-to-back configuration
- Can be used as part of a ceiling, floor or desktop mounting solution
- Easy tool-less tilt, swivel and screen rotation mechanism
- Quick and easy 'hook-on' installation
- Supplied with a safety bolt for secure pole mounting
- Included grub screws allow micro-adjustment of pole angle
- Integrated cable management
- All mounting hardware and fixings included

**Please note this product must be used with B-Tech Ø50mm poles, available separately*



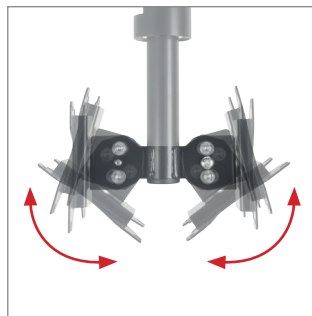
VESA 100	28" 71cm	23KG per screen	15° / 45° when ceiling mounted	45° / 15° when floor / desk mounted	360°	360°	Ø50mm
-----------------	--------------------	---------------------------	--	---	-------------	-------------	--------------



Suitable for use with B-Tech's range of System 2 poles and ceiling mounts



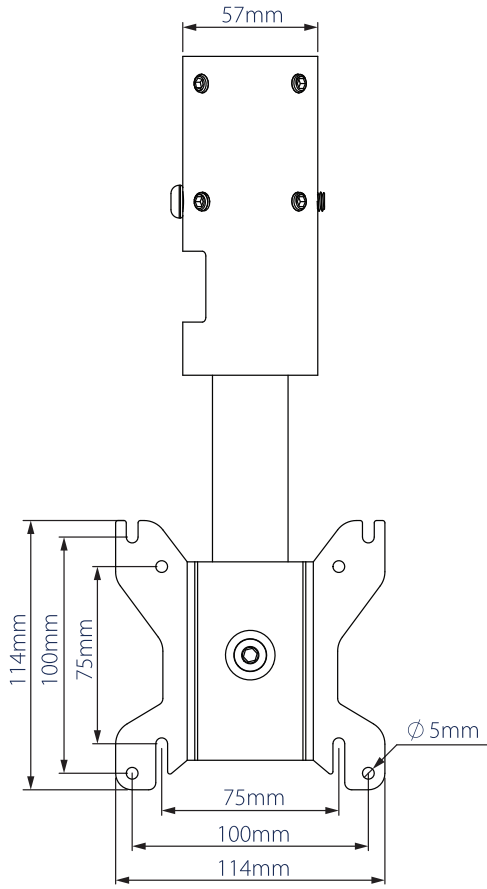
Integrated cable management for a neat and tidy installation



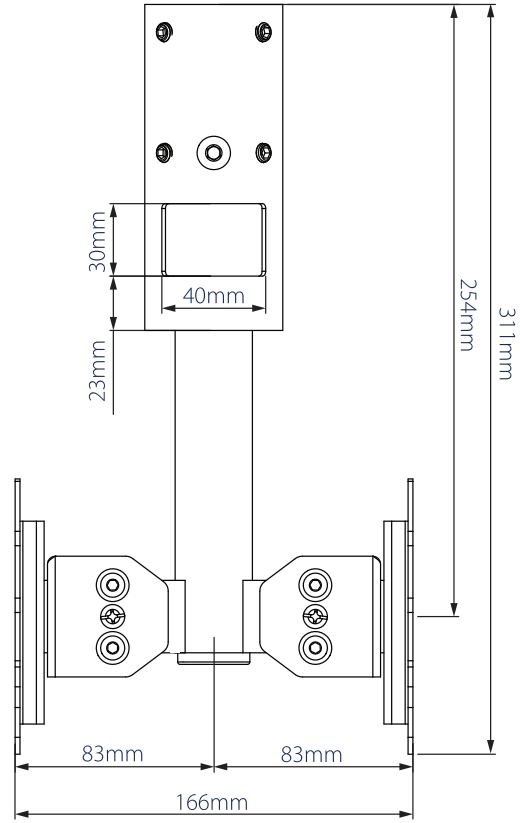
Easy tool-less adjustment of tilt, swivel and screen rotation



Quick and easy 'hook-on' installation



FRONT VIEW



SIDE VIEW

PACKING INFORMATION

COLOUR:	ORDER REF:	EAN CODE:	MASTER CARTON QTY:	INNER CARTON QTY:	MASTER CARTON WEIGHT:	MASTER CARTON CUBE:
Black	BT7552/B	5019318759055	1	0	1.56kg	0.073cbm

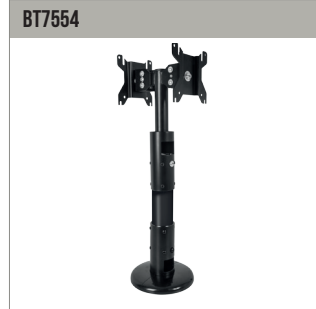
ACCESSORIES AND RELATED PRODUCTS FOR USE WITH BT7552



BT7850
Ø50mm Poles available in different lengths up to 3m



BT7822
Ceiling / Floor Mount securely fixes Ø50mm poles to the ceiling or floor



BT7554
Back-to-Back Flat Screen Ceiling / Desk Mount includes all the components to create a complete mounting solution



BT7551
Flat Screen Mount is ideal for mounting single screens to Ø50mm poles

© 2016 B-Tech International Pty. Ltd. All rights reserved.
The information in this specification is for reference only. It is not intended to be used as a substitute for the technical specifications of the product.
We reserve the right to change the technical or physical specifications without prior notice. This B-Tech International Pty. Ltd. logo and the B-Tech logo are registered trademarks of B-Tech International Ltd.
B-Tech accepts no liability for loss or damage caused by improper or incorrect installation, use, or modification of the product. Any reproduction or transmission or replication of any part of this specification is strictly prohibited unless prior written permission has been granted by B-Tech International Pty. Ltd.

SS-BT7552-V1_2-030516