

BT7512

SINGLE ARM FLAT SCREEN WALL MOUNT FOR SCREENS UP TO 28"

BT7512 is a versatile mounting solution designed for small, flat screens. The interface features effortless tilt adjustment and full 360° screen rotation, seamlessly transitioning between portrait and landscape orientations. The wall plate is equipped with our 'OWLS' (On-wall Levelling System) for precise installation. BT7512 has also been designed to integrate with B-Tech's extensive range of poles and collars, offering endless mounting options for commercial and residential settings. To ensure added security, specialised security screws help deter unauthorised screen removal.



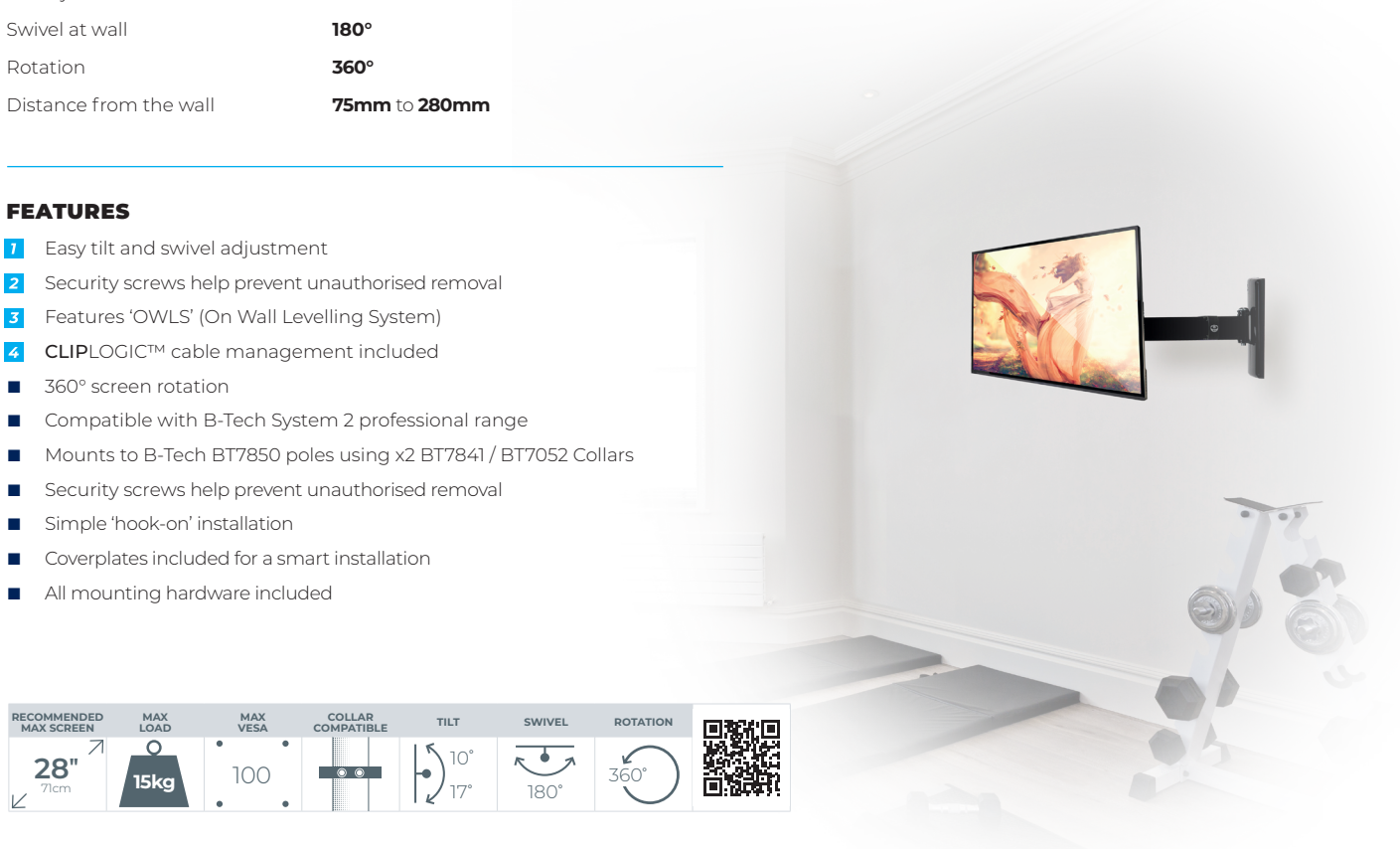
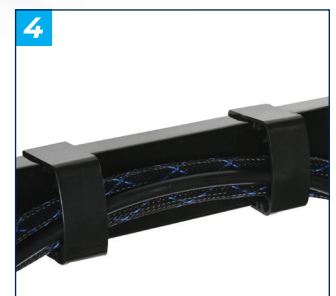
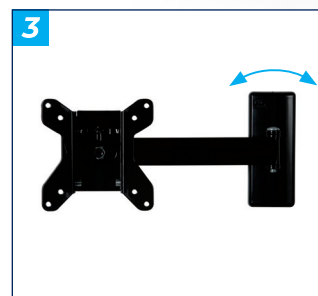
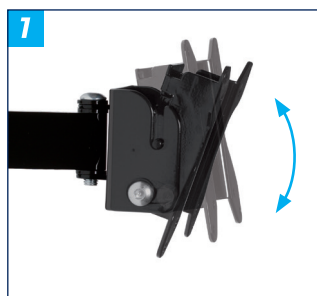
SPECIFICATIONS

Recommended screen size	up to 28"
Max load	15kg
VESA® compatibility	75 x 75 & 100 x 100
Tilt adjustment	+17° / -10°
Swivel at wall	180°
Rotation	360°
Distance from the wall	75mm to 280mm

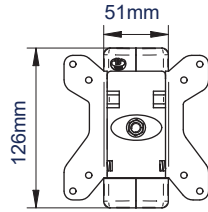
FEATURES

- 1 Easy tilt and swivel adjustment
 - 2 Security screws help prevent unauthorised removal
 - 3 Features 'OWLS' (On Wall Levelling System)
 - 4 CLIPLOGIC™ cable management included
- 360° screen rotation
 - Compatible with B-Tech System 2 professional range
 - Mounts to B-Tech BT7850 poles using x2 BT7841 / BT7052 Collars
 - Security screws help prevent unauthorised removal
 - Simple 'hook-on' installation
 - Coverplates included for a smart installation
 - All mounting hardware included

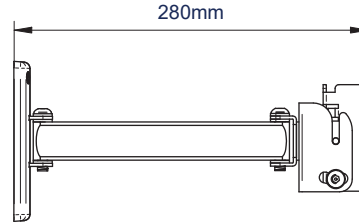
RECOMMENDED MAX SCREEN	MAX LOAD	MAX VESA	COLLAR COMPATIBLE	TILT	SWIVEL	ROTATION	QR CODE
28" 71cm	15kg	100		10° 17°	180°	360°	



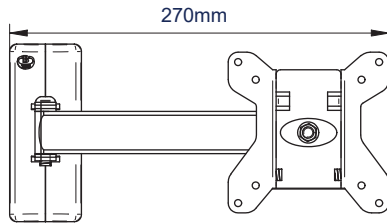
BT7512



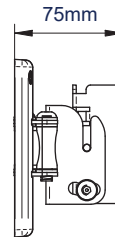
FRONT VIEW



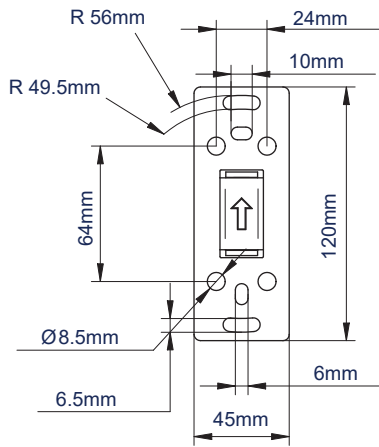
SIDE VIEW
MAXIMUM EXTENSION



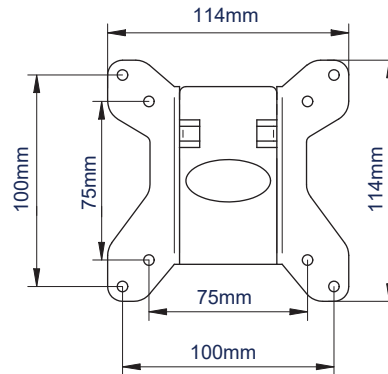
FRONT VIEW
FOLDED TO WALL



SIDE VIEW
FOLDED TO WALL



FRONT VIEW
WALL PLATE



FRONT VIEW
INTERFACE PLATE

ORDERING INFORMATION

COLOUR	ORDER REF	EAN
Black	BT7512/B	5019318751226

RELATED PRODUCTS

PRODUCT CODE	NAME	DESCRIPTION
BT7513	Double Arm Flat Screen Wall Mount with Tilt & Swivel	Features additional swivel point and a max reach of 467mm
BT7514	Single Arm Flat Screen Wall Mount with Tilt & Swivel	Ideal for larger screens up to 47"
BT7542	Interface Adaptor Arms	use with BT7512 to increase VESA fixing up to 200 x 200
BT7841	Ø50mm Accessory Collar	Accessory Collars allow the user to attach BT7841 to BT7850 Poles

© 2015 B.Tech. AV Mounts Co., Ltd. All rights reserved.
The information this specification sheet reflects the current technical specifications at the time of printing.
We reserve the right to change the technical or physical specifications without prior notice. The B.Tech. name and the B.Tech. logo are registered trademarks of B.Tech. AV Mounts Co., Ltd.
B.Tech. is not responsible for any damage or loss of data caused by improper installation or mounting on unstable structures. Any reproduction or reuse of information or specification sheet is strictly prohibited unless prior written permission is granted by B.Tech. AV Mounts Co., Ltd. 2015.

SS-V5-BT7512-060124