

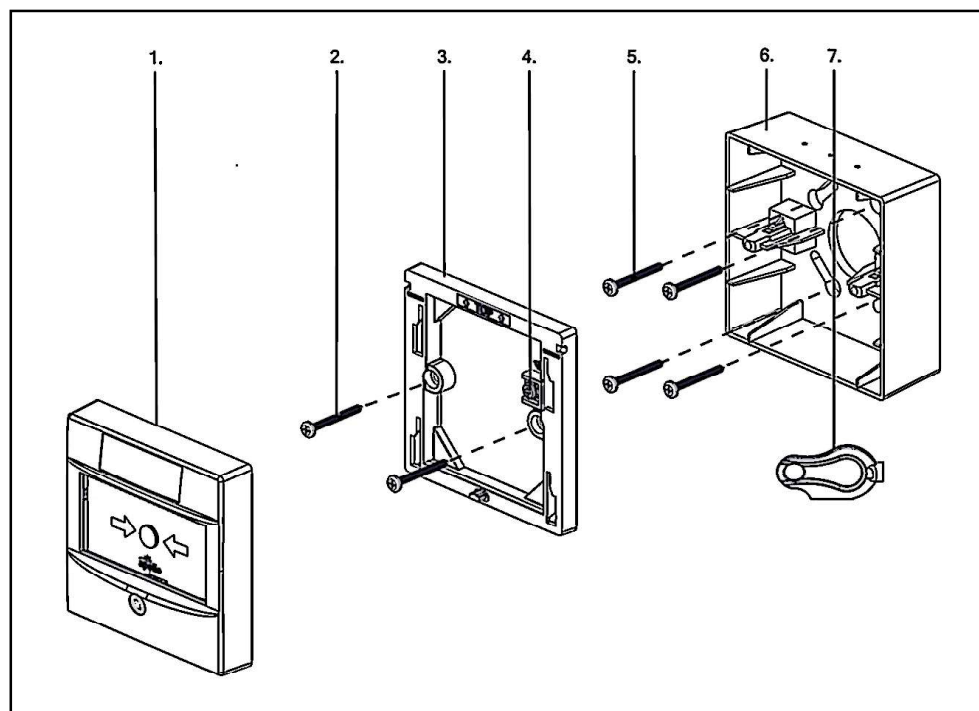
Conventional Manual Call Point Installation Guide

Part No	Product Name	Type
SC2900-001	Conventional Manual Call Point	Indoor

Technical Information

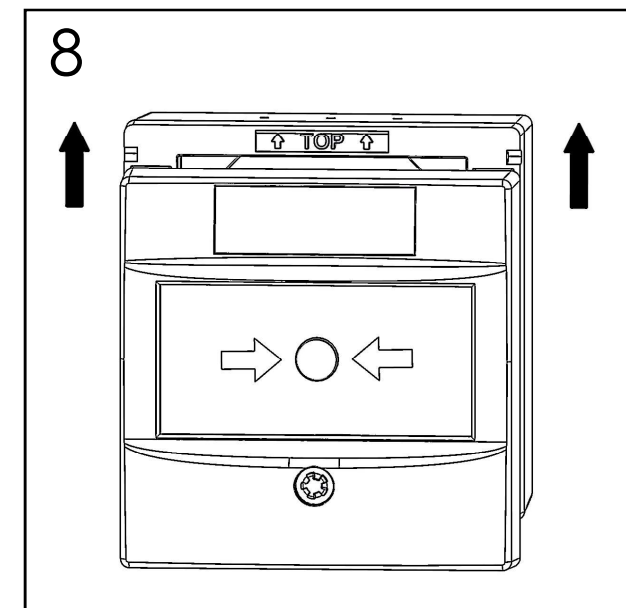
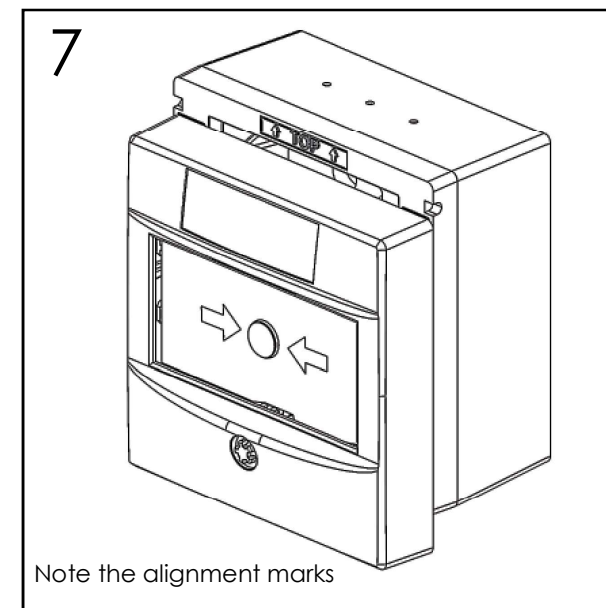
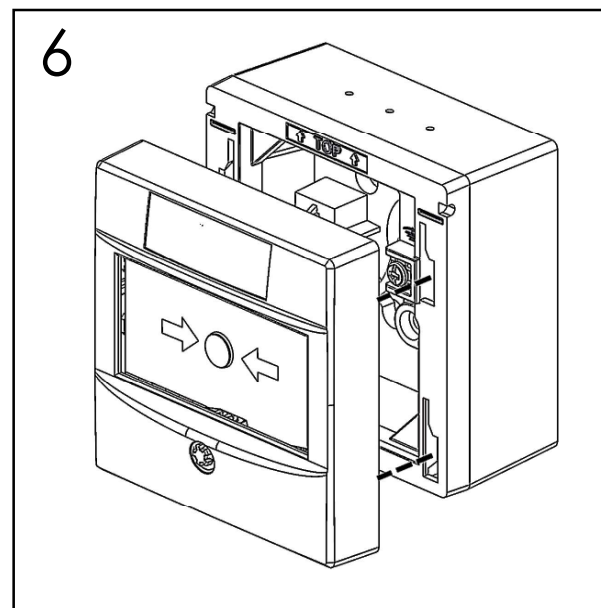
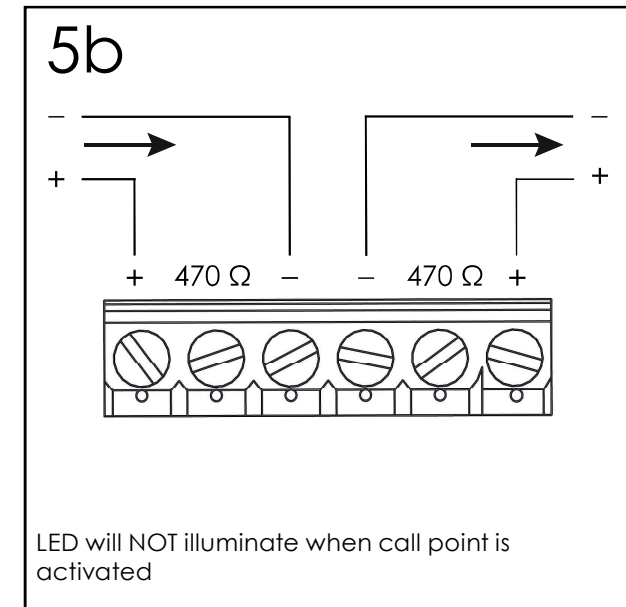
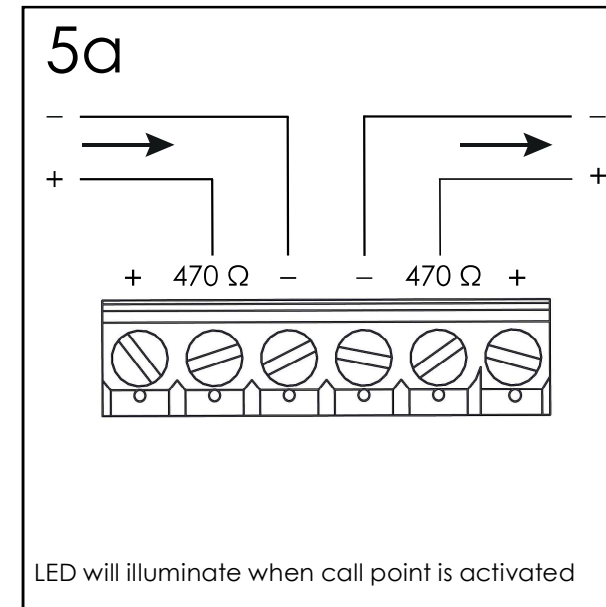
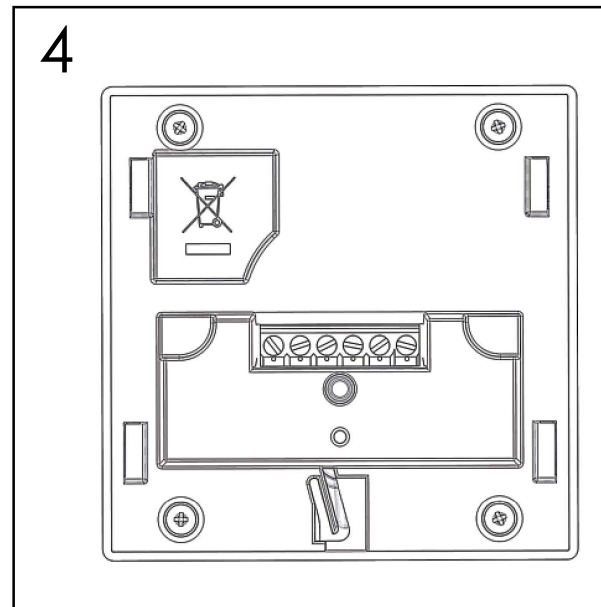
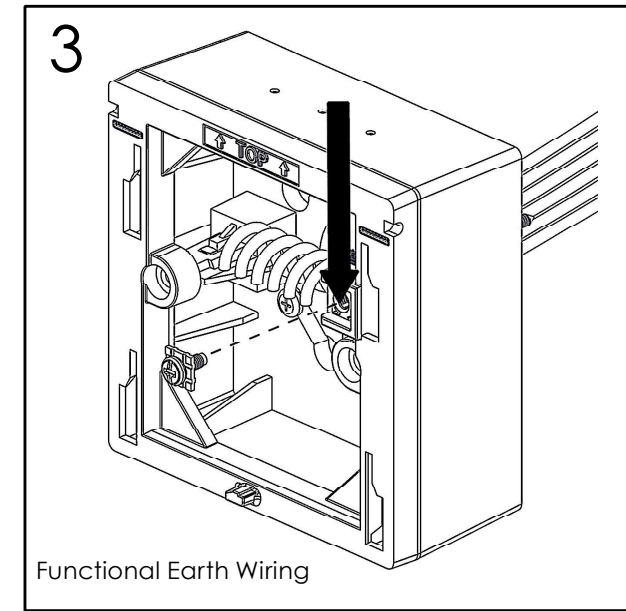
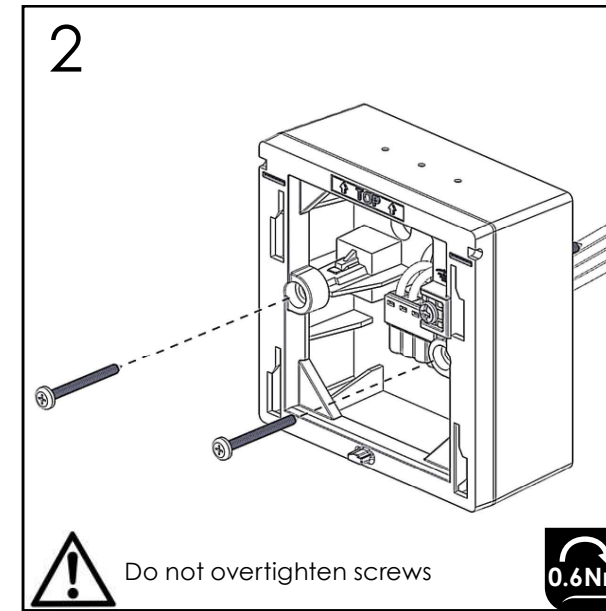
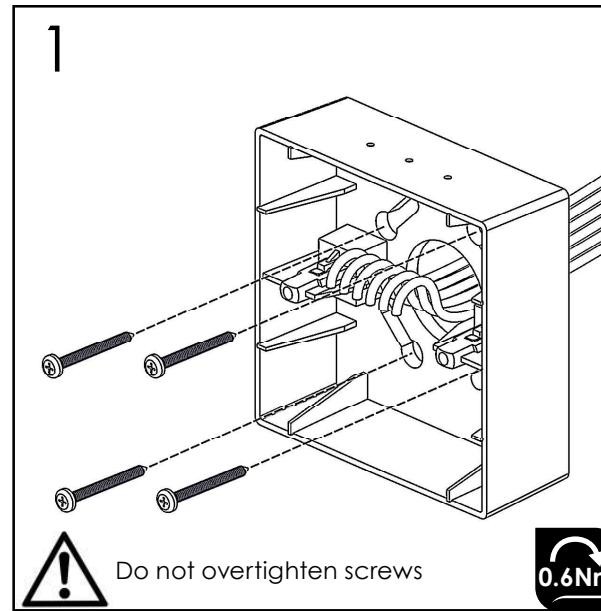


Product Overview

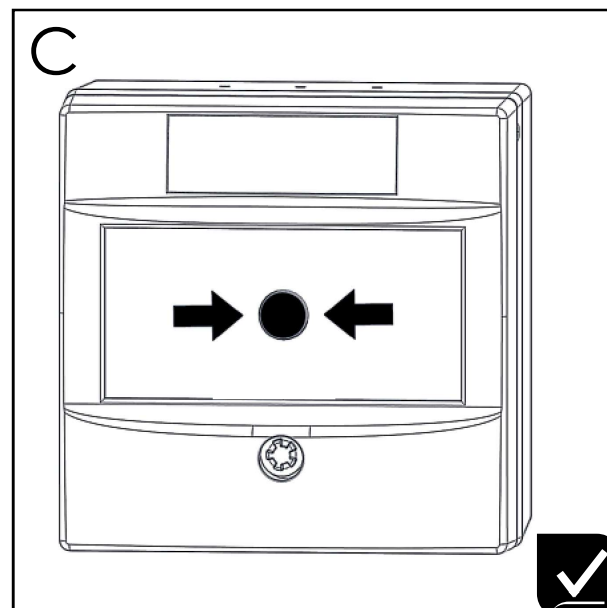
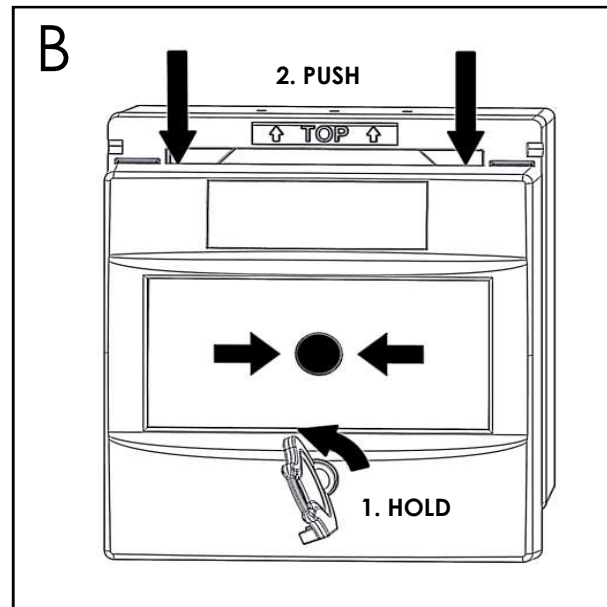
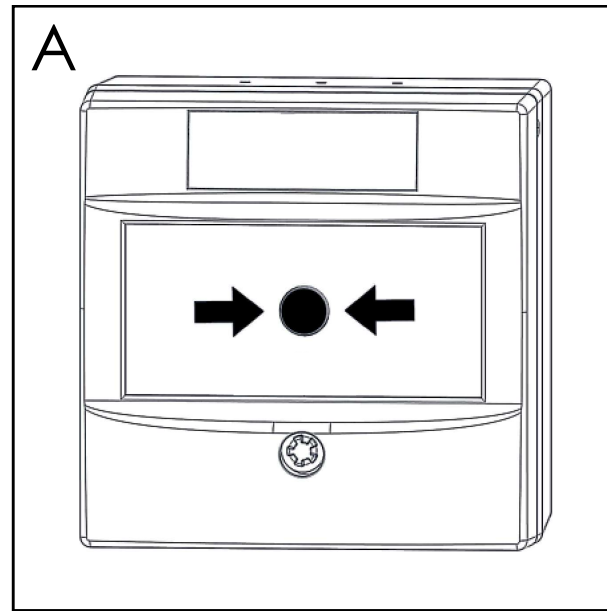


	Item	Qty		Item	Qty
1.	Head unit	1	5.	Fixing screws (NOT SUPPLIED)	N/A
2.	Fixing screws	2			
3.	Mounting bracket	1	6.	Backbox	1
4.	Earth Continuity Terminal	1	7.	Reset key	1

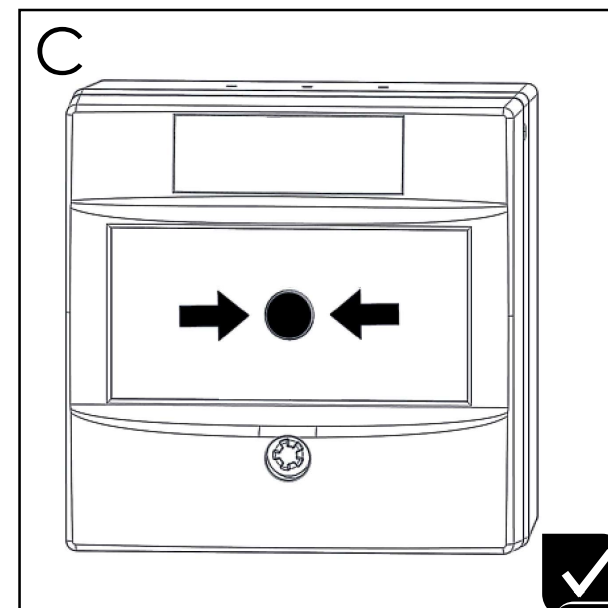
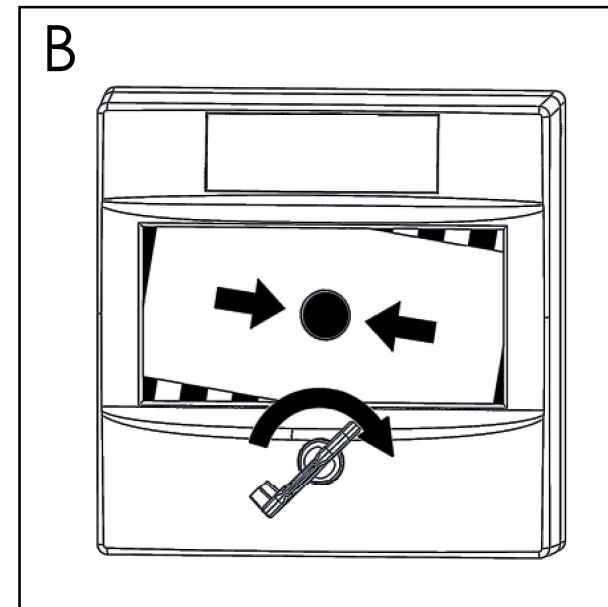
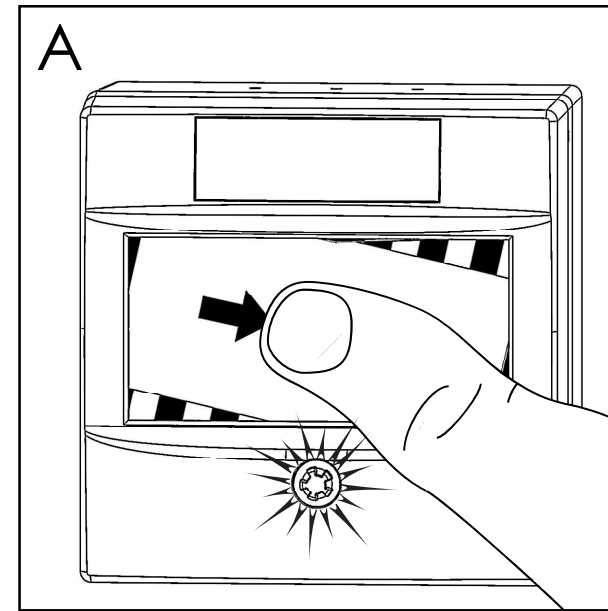
Installation



Removal



Testing



Commissioning

The installation must conform to BS5839-1 (or applicable local codes).

LED Indicator

Illuminated red when call point is operated only in 470Ω mode.

Transparent Hinged Cover

To provide additional protection against accidental operation, a Transparent Hinged Cover, part no 44251-189, is available or 44251-175 for multiples of 10.